

Haier

DISHWASHER OPERATION MANUAL
MODE D'EMPLOI DU LAVE-VAISSELLE

EN

FR



DW12-SFE3-F
DW12-SFE3ME-F

- PLEASE READ THIS OPERATION MANUAL BEFORE USING THE DISHWASHER.
- LISEZ ATTENTIVEMENT CE MODE D'EMPLOI AVANT D'UTILISER LE LAVE-VAISSELLE.

0120500374C

QUELLAVEVAISSELLE.COM

Safety information	2
Not suitable for the dishwasher	4
How to keep your dishwasher in shape	5
Installation	6
Getting to know your dishwasher	9
How to load the salt	11
How to load rinse aid	13
How to load the detergent	14
Arranging crockery, glasses, etc. in the dishwasher	15
Programme overview	17
Consumption	18
Washing dishes	19
Care and maintenance	24
Trouble Shooting	26
Technical data	30
Important information	31

QUELLAVEVAISSELLE.COM

At time of delivery

- Check packaging and dishwasher immediately for signs of transport damage. If the appliance is damaged, do not put it into use but contact your supplier or customer service without delay.
- Please dispose of packaging materials properly.

During installation

- ***Ensure that the domestic wiring is properly earthed.***
- Site the dishwasher and connect it up in accordance with the installation instructions.
- The dishwasher must not be connected to the electricity supply while installation is being carried out.
- The mains electricity supply must conform to the details shown on the dishwasher nameplate.
- Do not connect the dishwasher to the electricity supply via an extension cable.
- After the appliance has been installed, the mains plug should still be easily accessible.
- During installation, the power supply cord must not be excessively or dangerously bent or flattened.
- This appliance cannot be installed outdoors, not even if the area in which it is installed is covered by a roof; it is also very dangerous to leave it exposed to the rain and elements.

During normal use

- The dishwasher must only be used by adults for the washing of household dishes and cooking utensils.
- Do not place any heavy objects or stand on the door when it is open. The appliance could tip forward.
- The water inside the dishwasher is not suitable for drinking.
- Do not use solvents of any kind inside your dishwasher. They could cause an explosion danger.
- Open the door very carefully if the dishwasher is operating. There is a risk of water squirting out.
- Do not touch the heating element during or after a wash cycle.
- Fundamental rules to follow when using the appliance:
 - Never touch the dishwasher when barefoot or with wet hands or feet;
 - We discourage the use of extension cords and multiple sockets;
 - If the appliance is not operating properly or maintenance must be performed, disconnect the appliance from the power supply.

If your family includes children

- This appliance is not intended for use by persons (including children) with reduced physical, sensory or mental capabilities, or lack of experience and knowledge, unless they have been given supervision or instruction concerning use of the appliance by a person responsible for their safety.
- Children should be supervised to ensure that they do not play with the appliance.
- Keep detergents out of the reach of children, who must also be kept away from the dishwasher when it is open.

If a fault occurs

- If the appliance malfunctions, turn off water supply to the appliance and disconnect the power supply, turn off and the plug from the wall socket. Then, consult the section entitled, "Fault finding". If you cannot solve the problem, contact a service center.
- Only specialised personnel are authorised to make repairs.
If the supply cord is damaged, it must be replaced by the manufacturer, its service agent or similarly qualified persons in order to avoid a hazard.
- To maintain the EFFICIENCY and SAFETY of this appliance, we recommend:
 - call only the Service Centers authorized by the manufacturer, or the approved Service agents.
 - always use original Spare Parts.

When disposing of old appliances

- Appliances which are no longer being used must be made inoperable by cutting the power supply cord and removing the door lock.
- Take the appliance to a designated waste disposal center.



Warning:

Children could get locked in the appliance (risk of suffocation) or get stuck in other positions. Therefore: Remove the mains plug, cut the mains wire and set aside. Damage the door lock so that the door can no longer be closed.

What you should not put into the dishwasher

Cutlery and tableware manufactured in whole or part from wood. They become faded and unsightly in appearance. Furthermore, the adhesives that are used are not suitable for the temperature that occur inside the dishwasher. Delicate decorative glassware and vases, special antique or irreplaceable china. The decorative patterns on such items will not be dishwasher-proof.

Plastic objects that are not resistant to hot water, copper and pewter utensils are also not suitable. Decorative patterns printed or painted onto the surface of crockery, glasses, etc., aluminium and silver items tend to become discoloured or faded if washed in the dishwasher. Some types of glass can become opaque in appearance after they have been washed many times in a dishwasher. Highly absorbent materials, such as sponges and towels, should never be placed in the dishwasher.

Our recommendation

In future, only purchase table or kitchenware that has been confirmed as being dishwasher-proof.



Important:

Dishes or cutlery that have been soiled by tobacco ash, wax, lubricating grease or paint, should not be put in the dishwasher.

Damage to glassware and other dishes

Possible causes

- Type of glass or manufacturing process
- Chemical composition of detergent
- Water temperature and duration of dishwasher programme.

Suggested remedy

- Use glassware or porcelain dishes that have been marked 'dishwasher-proof' by the manufacture.
- Use a mild detergent that is described as 'kind to dishes'. If necessary, seek further information from detergent manufacturers.
- Select a programme with a low temperature and a short duration as possible.
- To prevent damage, take glass and cutlery out of the dishwasher as soon as possible after the programme has ended.

After every wash

After every wash, turn off the water supply of the appliance and leave the door slightly ajar so that moisture and odors are not trapped inside.

Remove the plug

Before cleaning or performing maintenance, always switch off the appliance, and remove the plug from the socket. Do not run risks.

No solvents or abrasive cleaning products

To clean the exterior and rubber parts of the dishwasher, do not use solvents or abrasive cleaning products. Rather, it is recommended that you use only a cloth and warm soapy water.

To remove spots or stains from the surface of the interior, use a cloth dampened with water and a little white vinegar, or cleaning product made specifically for dishwashers.

Moving the appliance

If the appliance must be moved, try to keep it in a vertical position. If absolutely necessary, it can be positioned on its back.

Seals

One of the factors that cause odors to form in the dishwasher is food that remains trapped in the seals. Periodic cleaning with a damp sponge will prevent this from occurring.

The door should not be left in the open position since this could present a tripping hazard.

When you go on holiday

When you go on holiday, it is recommended that you run a wash cycle with the dishwasher empty and then remove the plug from the socket, turn off the water supply and leave the door of the appliance slightly ajar. This will help the seals last longer and prevent odors from forming within the appliance.

Positioning the appliance

Positioning the appliance in the desired location. The back of the appliance should rest against the wall, and the sides, along the adjacent cabinets or wall. The dishwasher is equipped with water supply and drain hoses that can be positioned to the right or the left to facilitate proper installation.

Levelling the appliance

Once the appliance is positioned, adjust the feet (screwing them in or out) to adjust the dishwasher, making it level. The appliance should not be inclined more than 2°. If the appliance is level, it will help ensure proper performance.

Cold water connection

Connect the water supply hose to a threaded 3/4 (gas) connector, making sure that it is fastened tightly in place (see fig.A).

If the water pipes are new or have not been used for an extended period of time, let the water run to make sure that the water is clear and free of impurities. If this precaution is not taken, there is a risk that the water inlet can get blocked and damage the appliance.

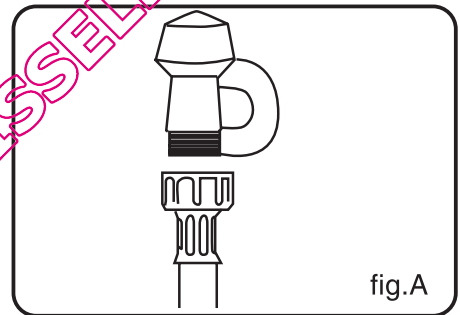


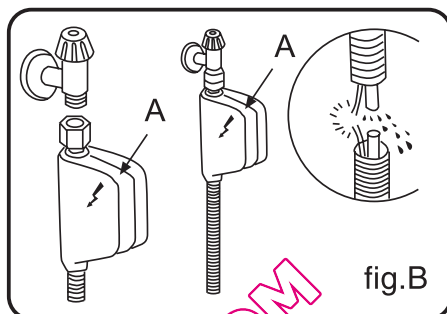
fig.A



Warning:

The appliance is to be connected to the water mains using new hose-sets and that old hose-sets should not be reused.

Some models are fitted with an "Aquastop" water supply hose (see fig.B) in which the small filter is already housed in the threaded end.



WARNING:HAZARDOUS VOLTAGE!

Under no circumstance should the water inlet hose be cut as it contains live electrical parts.

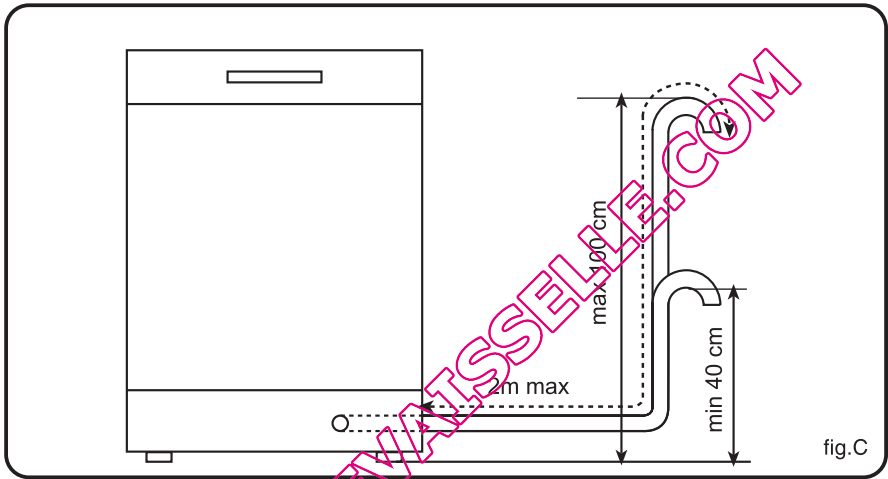
Anti-Flooding protection

Anti-Flooding protection

The dishwasher is equipped with a system that stops the supply of water in the event of a problem with the water supply hose, or leaks within the unit, in order to prevent damage to your home. If for any reason the box containing the electrical components happens to get damaged, turn off the power supply and remove the plug for the appliance from the socket immediately. In order to guarantee that the anti-flooding feature operates properly, the "A" box with water supply hose must be attached to the water supply tap as shown in fig.B. No other type of connection is acceptable. The water supply hose must not, under any circumstances, be cut, as it contains electrical parts which are live. If the length of the hose is not adequate to make a proper connection, the hose must be replaced with one which is long enough. This hose is available upon request from specialised retailers and approved service center.

Drain hose connection

Insert the drain hose into a drain pipe with a minimum diameter of 4cm, or let it run into the sink, making sure to avoid bending or crimping it. If necessary, fit a syphon trap (U-bend) with a connecting piece for the electrical drain hose (fig.C). The free end of the hose must be at a height between 40 and 100 cm and must not be immersed in water.



Attention:

The connecting piece for syphon trap (U-bend) must be securely fastened to the wall to prevent the drain hose from moving and allowing water to spill outside the drain.

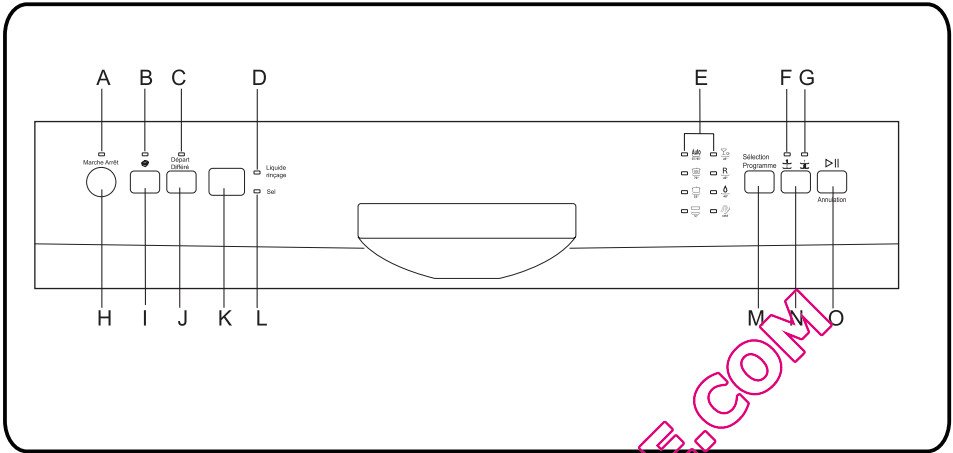
Electrical Connection

After making sure that the voltage and frequency values for the current in the home correspond to those on the rating plate (located on the stainless steel inner door of the appliance) and that the electrical system is correct for the maximum voltage on the rating plate, insert the plug into an electrical socket which is earthed properly (the earthing of the appliance is a safety requirement mandated by law).







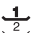



Caution:

The dishwasher plug must be accessible even when the appliance is installed as a built-in unit so that maintenance can be done safely.

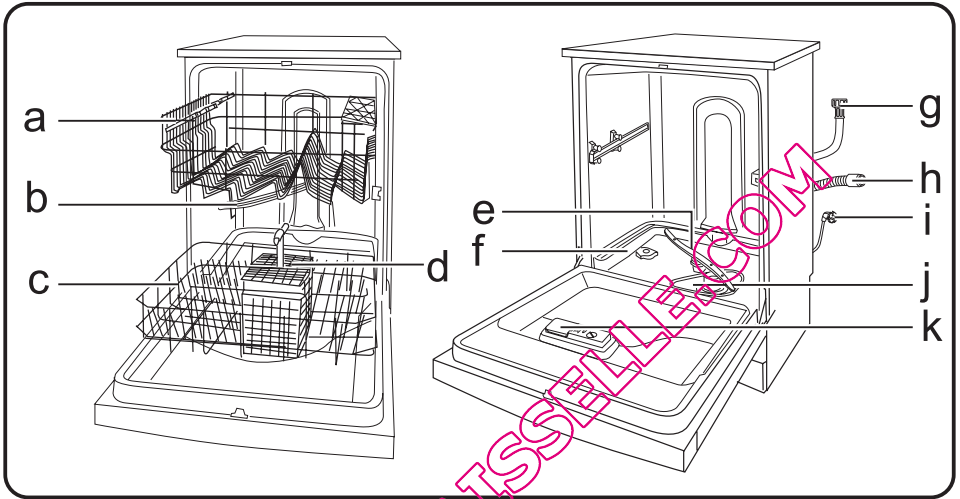


- | | | | |
|----------|-----------------------------------|----------|--------------------------------|
| A | ON-OFF Indicator | I | Combi-detergent Tablets Button |
| B | Combi-detergent Tablets Indicator | J | Delay Start Button |
| C | Delay Start Indicator | K | Time-remaining Indicator |
| D | Low Rinse Aid Indicator | L | Low Salt Indicator |
| E | Programme Indicator | M | Programme Button |
| F | Upper Rack Wash Indicator | N | Singal Wash Button |
| G | Lower Rack Wash Indicator | O | Start/Pause Button |
| H | ON-OFF Button | | |

Function overview

-  Press this button to select the combi-detergent tablets function
-  Press this button to delay the start of programme.
-  Press this button to select the programme.
-  Press this button to select the singal wash function
-  Upper Rack Wash function
-  Lower Rack Wash function
-  Press this button to start or pause the programme.
-  Press this buttons for 3 seconds to concel the programme.

Dishwasher interior



a Upper Rack

b Top Spray Arm

c Lower Rack

d Silverware Basket

e Bottom Spray Arm

f Salt Container Cap

g Water Inlet Hose

h Drain Hose

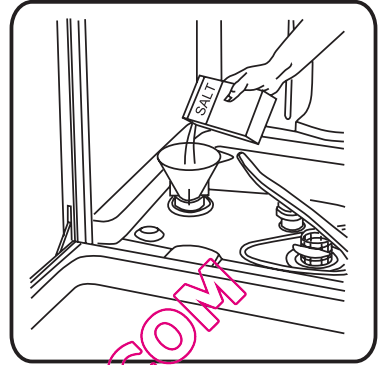
i Power Supply Cord

j Washing Filter

k Detergent and Rinse Aid Dispenser

Salt

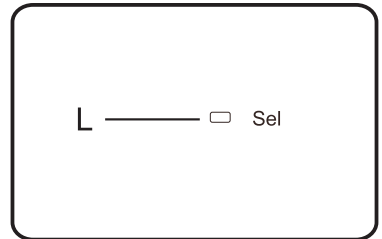
The hardness of the water varies from place to place. If hard water is used in the dishwasher, deposits will form on the dishes and utensils. The appliance is equipped with a special softener that uses a salt specifically designed to eliminate lime and minerals from the water.



Loading the salt into the container

Always use salt intended for use with dishwashers. The salt container is located beneath the lower rack and should be filled as follows:

- When the low salt indicator “L” lights, you must fill the salt.
- Remove the lower rack and then unscrew and remove the cap from the salt container;
- If you are filling the container for the first time, fill it with water;
- Place the end of the funnel (supplied) into the hole and introduce about 2 kg of salt. It is normal for a small amount of water to come out of the salt container
- Carefully screw the cap back on.



Important:

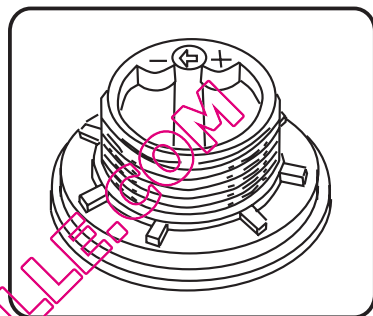
To prevent the formation of rust, load the salt just before beginning a wash cycle.

Adjusting salt consumption

The dishwasher is designed to allow for adjusting the amount of salt consumed based on the hardness of the water used. This is intended to optimize and customize the level of salt consumption so that it remains at a minimum.

To adjust salt consumption, proceed as follows:

- Unscrew the cap from the salt container;
- There is a ring on the container with an arrow on it (see figure to the side).
- If necessary, rotate the ring in an anticlockwise direction from the "-" setting towards the "+" sign, based on the hardness of the water being used.



It is recommended that adjustments be made in accordance with the following table:

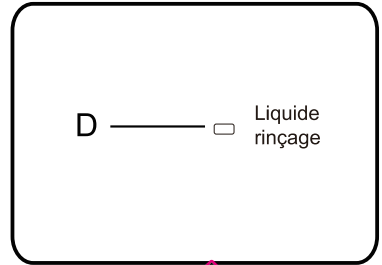
Hardness of the water			Selector knob position	Salt consumption (grams/cycle)	Autonomy (cycles/2 kg)
°dH	°fH	°mmol/l			
0-10	0-17	0-1,7	/	0	/
10-25	18-44	1,8-4,4	-	20	60
25-50	45-89	4,5-8,9	MED	40	40
>50	>89	>8,9	+	60	25

The default setting of the water softening system is -.

- If using multi-functional tablets fill the salt dispenser and set the adjuster to -; if the hardness of the water is greater than 60°fH, set it to +.

Rinse aid

This product makes dishes sparkle and helps them to dry without spotting. The dispenser is located on the inside panel of the door. When the low rinse aid indicator " D " on the control panel and the mechanical indicator " 1 " on the dispenser light, you must load rinse aid.



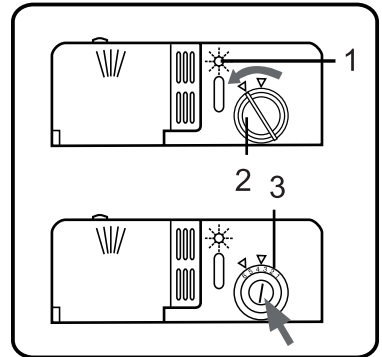
Notice:

When using combi-detergent tablets, like "3 in 1", "4 in 1", "5 in 1"... the rinse-aid is no longer useful.

Loading the rinse aid

Regardless of the type of detergent dispenser installed on your appliance, you must proceed as indicated below when loading the rinse aid.

To open the dispenser, turn the "2" cap in an anti-clockwise direction and then pour in the rinse aid, making sure not to overfill. The amount of rinse aid used for each cycle can be regulated by turning the "3" dose adjuster, located beneath the "2" cap, with a screwdriver. There are 6 different settings; the normal dosage setting is 3.



Important:

Proper dosage of the rinse aid improves drying. If drops of water remain on the dishes or spotting occurs, the dosage adjuster should be turned to a higher setting. If the dishes have white streaks, turn the dosage adjuster to a lower setting.

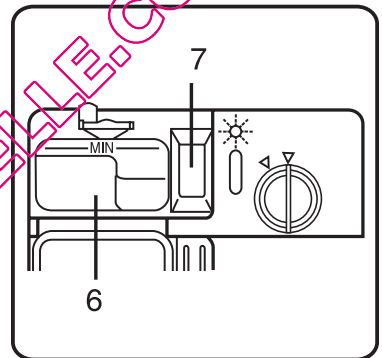
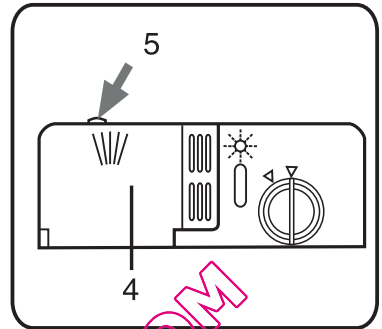
Detergent

Detergent specifically intended for use with dishwashers must be used. The dispenser must be refilled before the start of each wash cycle following the instructions provided in the "Programme overview". The detergent dispenser is located on the inside panel of the door.

Loading the detergent

If you use normal detergent ...

- To open the " 4 " cover on the dispenser, press the "5" button.
- The detergent for the wash cycle should be poured into the " 6 " compartment.
- The detergent for the pre-wash cycle should be poured into the " 7 " compartment.
- After the detergent has been placed in the dispenser, close the cover and press down until it clicks in place.




If you use "combi-detergent tablets" , like "3 in 1" , "4 in 1" , "5 in 1"...

- To open the " 4 " cover on the dispenser, press the "5" button.
- The "tablets" should be poured into the " 6 " compartment.
- After the detergent has been placed in the dispenser, close the cover and press down until it clicks in place.



Notice:

If you use "combi detergent tablets" , you have to select combi-detergent tablets option  function.



Notice:

To facilitate closing the cover, remove any excess detergent on the edges of the dispenser.

Before placing the dishes in the dishwasher, remove larger food particles to prevent the filter from becoming clogged, which results in reduced performance.

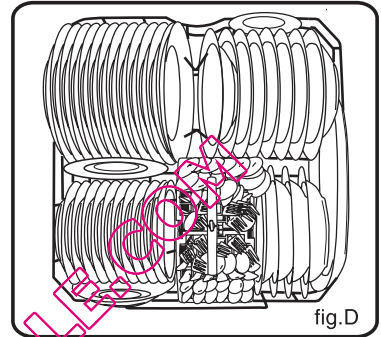
If the pots and pans have baked-on food that is extremely hard to remove, we recommend that they are soaked before washed. This will eliminate the need for extra wash cycles.

Pull out the rack to load the dishwasher.

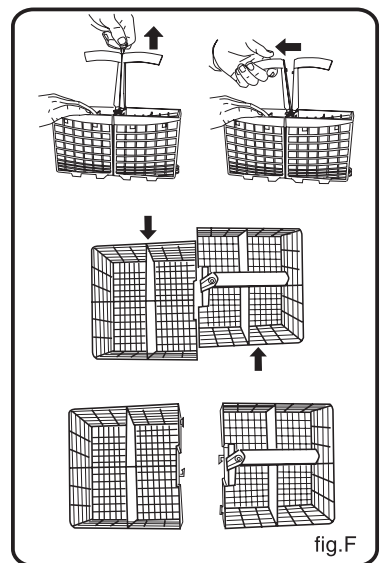
How to use the lower rack

We recommend that you place the most difficult to clean items on the bottom rack: pots, pans, lids, serving dishes and bowls, as shown in the figure to the right.

It is preferable to place serving dishes and lids on the sides of the racks in order to avoid blocking the rotation of the top spray arm.



- Pots, serving bowls, etc. must always be placed face down (see fig.D).
- Deep pots should be slanted to allow the water to flow out.
- **Some models:** the lower rack features fold down tine rows (see fig.E) so that larger or more pots and pans can be loaded.
- The silverware basket can be doubled (see fig.F) so that only one section may be used when the silverware load is light. This also makes space for additional pots and pans and it can also be placed in the upper rack.
- Silverware should be placed in the silverware basket with the handles at the bottom; if the rack has side baskets, the spoons should be located individually into the appropriate slots. Especially long utensils should be placed in the horizontal position at the front of the upper rack.



How to use the upper rack

The upper rack is designed to hold more delicate and lighter dishware, such as glasses, cups and saucers, plates, small bowls and shallow pans (as long as they are not too dirty).

- The dishes and cookware shall be arranged, so that they do not get moved by the spray of water. The upper rack can be adjusted for height by
- using the knobs located on both sides of the rack itself (see fig.G).

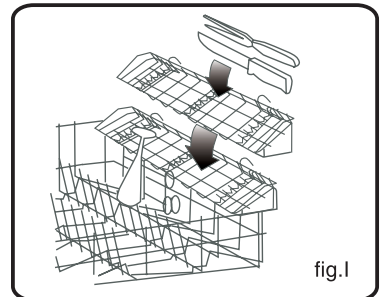
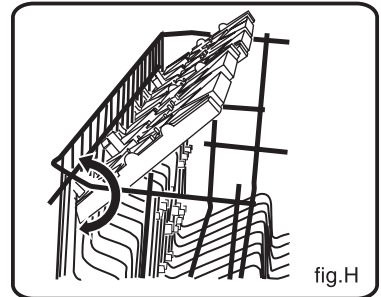
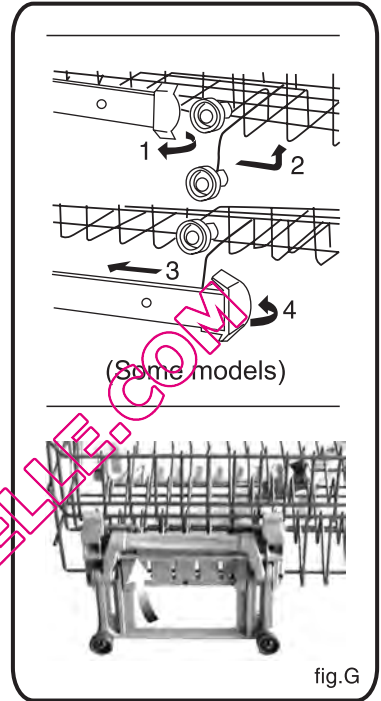
Adjust the upper basket to the higher level and you have more space to accommodate those taller pans and trays in the bottom basket.

Shelf

Lean tall glasses and those with long stems against the shelf-not against other items to be washed. Place glasses, cups and small bowls on the additional cup rack. The additional cup rack can be swivelled in or out as required(see fig.H).

Knife rack

The knife rack clips onto the side of the top basket, giving you the freedom to wash your large sharp knives separately and out of harm's way (see fig.I).



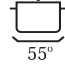







Warning:

knives and other utensils with sharp points must be loaded in the basket with their points down or placed in a horizontal position.

Programme overview

EN

Wash programme	Type of crokery	Type of food remains	Amount of food remains	Condition of food remains	Description of cycle
 55°/65° Automatic	Nondelicate (e.g.china, pots/pans, cutlery, etc)	Soups, casseroles, sauces, potatoes, pasta, rice, eggs, roaster fried food.	a lot	stuck on hard	Prewash with cold water. Main wash at 55°C or 65°C. 1 or 2 rinses with cold water. Rinse with hot water. Drying.
 70° Intensive					Pre-wash with warm water. Extended wash at 70°C. Rinses with cold water. Rinse with hot water. Drying.
 55° Normal					Pre-wash use cold water. Extended wash at 55°C. Rinse with cold water. Rinse with hot water. Drying.
 50° ECO (EN50242)	Mixed (e.g.china, pots/pans, cutlery, glasses, etc)	Soups, potatoes, pasta, rice, eggs, roaster fried food.	a little	loosely attached	Pre-wash use cold water. Extended wash at 50°C. Rinse with cold water. Rinse with hot water. Drying.
 45° Glass					Wash at 45°C. Rinse with warm water. Hot rinse. Drying.
 40° Rapid		Soups, potatoes, pasta, rice, eggs, roaster fried food.	Very little	loosely attached	Short wash at 40°C. Hot rinse.
 48° Green					Extended wash at 48°C. Rinse with cold water. Rinse with hot water. Drying.
 cold Soak		Rinse off if the dishes have been stacked for several days in the dishwasher prior to washing.	Short cold wash to prevent food residue from drying on the dishes .		

Additional options				Detergent		Rinse aid	Duration in minutes
Tablets	Delayed start	Upper rack wash	Lower rack wash	Prewash	Main Wash		
YES	YES	—	—	5g	25g	◆	75-110
		◆	—	5g	25g	◆	52-82
		—	◆	5g	25g	◆	66-98
YES	YES	—	—	5g	25g	◆	112
		◆	—	5g	25g	◆	86
		—	◆	5g	25g	◆	94
YES	YES	—	—	5g	25g	◆	102
		◆	—	5g	25g	◆	78
		—	◆	5g	25g	◆	90
YES	YES	—	—	5g	25g	◆	167*
		◆	—	5g	25g	◆	118
		—	◆	5g	25g	◆	135
YES	YES	—	—	5g	25g	◆	92
		◆	—	5g	25g	◆	72
		—	◆	5g	25g	◆	82
NO	YES	—	—	—	15g	◆	32
		◆	—	—	15g	◆	28
		—	◆	—	15g	◆	30
YES	YES	—	—	5g	25g	◆	108
		◆	—	5g	25g	◆	88
		—	◆	5g	25g	◆	98
NO	YES	—	—	—	—	—	12
		◆	—	—	—	—	8
		—	◆	—	—	—	10




selected



unselected

*EN50242 test with rinse aid setting 5

Programme selection

The most appropriate programme can be identified by comparing the type of crockery, cutlery, etc., as well as the amount and condition of food remains, with the details contained in the wash cycle table. The corresponding programme sequence, duration and consumption details are shown in the right half of the overview. For example: Use the "normal"  programme for dishes and utensils which have plenty of food remains stuck on hard.

Earn savings

If only a small number of dishes have been loaded into the dishwasher, selecting a programme that operates at the next lowest temperature which should be sufficient.

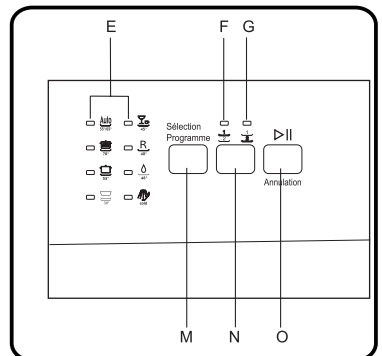
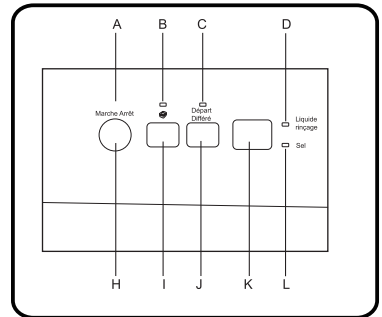
Programme data

The stated programme data are based on standard operating conditions. The values can vary considerably according to:

- Different amounts of dishes
- Temperature of mains water supply
- Pressure of mains water supply
- Ambient temperature
- Fluctuations in mains voltage
- Machine-related factors
(e.g. temperature, water volume,...)

Switching the dishwasher ON

- Load the appliance and turn on the tap.
- Close the door, and set On-Off button "H" to On then the On-Off indicator "A" light.
- Press the programme button "M" to select the programme you wish, and the corresponding programme indicator "E" light.
- Press the Start/Pause button "O", then the dishwasher will start immediately, and the corresponding programme indicator "E" blinks.



End of washing programme

- Six beeps will indicate that the wash cycle has finished, the programme indicator light and time-remaining indicator will display "0".

Switching the dishwasher OFF

Several minutes after the programme has ended:

- Set On-Off button to Off
- Open the door .
- Remove dishes, etc. when they have cooled down.
- Turn the water tap off.



Notice:

When the appliance is already underway press the Reset button for 3 seconds, all of the settings will be cancelled.

Interrupting the programme

- Open the door.

Caution! There is a risk of water squirting out from inside the appliance. Do not open the door fully until spray arm has stopped rotating.

- If the appliance has already heated up or the hot water was switched ON and then the appliance door opened, leave the door ajar for several minutes and then close. Otherwise, the appliance door may open due to expansion.
- Close the door. After 30 seconds the programme will start from the point it was interrupted.



Notice:

Interrupt or cancel a programme in progress ONLY when absolutely necessary.

Cancelling or modifying a cycle while underway

- A cycle that is underway can be modified if it has only been running for a short time. Otherwise, the detergent may have already been used, and the appliance may have already drained the wash water. If this is the case, the detergent dispenser must be refilled (see the paragraph entitled, " Loading the detergent ").
- To modify a cycle that is already underway, follow the instructions contained in the paragraph entitled "Reset drain function", and select the programme you wish (see the paragraph entitled, "Switching the dishwasher ON").

Use of "3 in 1"/ Combi-Detergent Tablets

General Advice

1. Before using these products you should first check that the water hard-ness in your supply is compatible with the use of these products as per the detergent manufacturers instructions (on the product packaging).
2. These products should be strictly used according to the detergent manufacturers instructions.
3. If you encounter problems when using "3 in1" products for the first time then please contact the detergent manufacturers care line (the telephone number is given on the product packaging).

Special Advice

When using combination products, the rinse-aid and salt lights are no longer useful. It may be helpful to select the lowest possible setting for water hardness.

To select "Combi-Detergent tablets" function:

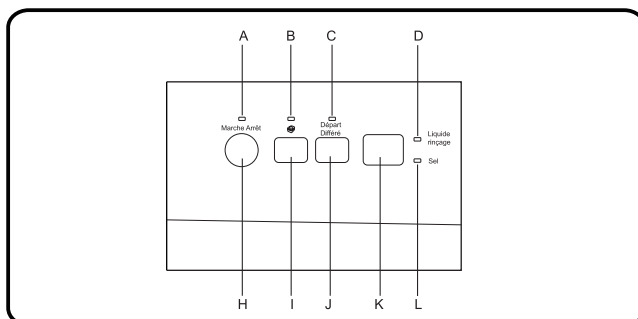
1. Close the door. Select the programme and then press the Combi-Detergent tablets button "I" until the "Combi-Detergent tablets indicator "B" " lights.
2. Press the Start/Pause button "O", then the dishwasher will start immediately, and the programme indicator and the "Combi-Detergent tablets indicator "B" " blinks.

To cancel "Combi-Detergent tablets" function:

Follow the "Cancelling or modifying a cycle while underway" instructions.

If you decide to switch to the use of a standard detergent system we advise that you:

1. Refill both the salt and rinse aid compartments.
2. Switch the water hardness setting to the highest possible position and run for three normal cycles without a load.
3. Readjust the water hardness setting again according to the conditions for your region (For more information please refer to your instruction manual).



**Warning:**

Do not place the tablets in the tub or the cutlery basket as this will result in poorer wash results. The tablets should be placed in the detergent doser.

**Notice:**

The usage of 3 in 1 or similar tablets is forbidden when Rapid Wash and Soak programmes are selected.

Upper rack wash

This function allows the dishwasher to wash dishes using only the upper rack if there are not enough dishes for a full load. This will allow you to save on water and energy consumption.

To select Upper rack wash:

1. Close the door. Select the programme and then press the signal wash button until the "Upper rack wash indicator" $\frac{1}{2}$ lights.
2. Press the Start/Pause button "L", then the dishwasher will start immediately, and the programme indicator and the "Upper rack wash indicator" $\frac{1}{2}$ will blink.

To cancel the Upper rack wash:

Follow the 'Cancelling or modifying a cycle' instructions.

Lower rack wash

This function allows the dishwasher to wash dishes using only the lower rack if there are not enough dishes for a full load. This will allow you to save on water and energy consumption.

To select Lower rack wash:

1. Close the door. Select the programme and then press the signal wash button until the "Lower rack wash indicator" $\frac{1}{2}$ lights.
2. Press the Start/Pause button "L", then the dishwasher will start immediately, and the programme indicator and the "Lower rack wash indicator" $\frac{1}{2}$ will blink.

To cancel the Lower rack wash:

Follow the "Cancelling or modifying a cycle while underway" instructions.

**Note:**

Please keep in mind that the amount of detergent should also be adapted to the load.

Delayed start programming

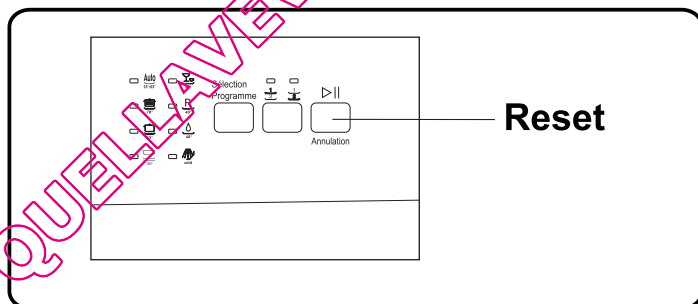
You can delay the start of a programme from 1 hour up to 24 hours.

1. Close the door, switch the dishwasher ON.
2. Press programme button to choose the desired programme.
3. Press the Delayed Start button, the time-remaining indicator changes to "1h".
4. Press the Delayed Start button as many times as necessary until the numerical display shows the required delay.
5. To cancel the time delay setting, pressing the Delayed Start button until the time-remaining indicator goes out.
6. Press the Start/Pause button; the time-remaining indicator will blink and start to count down. The programme will start when the delayed start indicator goes out and the wash cycle will begin.

To cancel a delayed start programme in progress, follow the "Cancelling or modifying a cycle while underway" instructions.

Reset drain function

You can use Reset drain function to stop the washing cycle under running by pressing the Reset Button for 3 seconds to "Reset", and the appliance will stop after a few minutes drain phase.



Regular inspection and maintenance of your appliance helps to prevent problems from occurring. This saves time and aggravation. You should therefore carefully inspect the inside of your dishwasher from time to time.

Overall condition of appliance

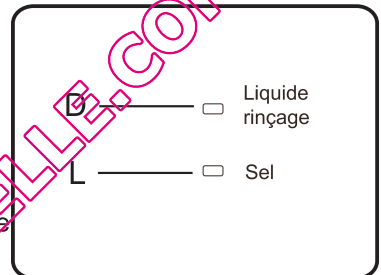
- Check that no grease or scale has accumulated on the inside of the dishwasher. If you discover any deposits:
- Clean the interior of the dishwasher thoroughly with a dishwasher detergent solution.

Dishwasher salt

Check the LOW SALT indicator “ L ”. Top up with salt, if required.

Rinse-aid

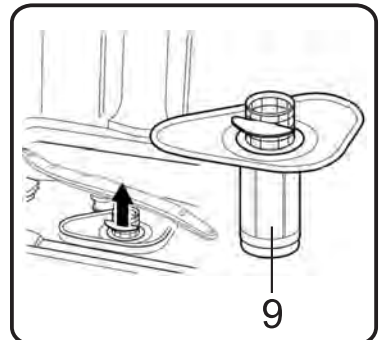
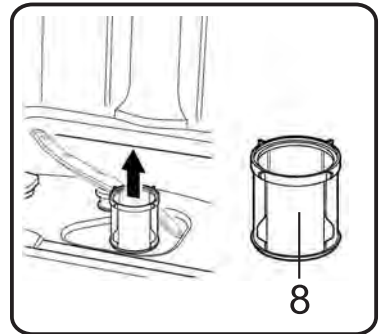
Check the LOW RINSE AID indicator “ D ” on the front panel. Top up with rinse-aid, if required.



Filters

The filters “ 8 ”, “ 9 ” prevent larger particles of food in the water from reaching the pump. These particles may occasionally block the filters.

- When the appliance has finished washing, check the filters for particles of food and, if required, clean.
- After undoing the coarse micro-filter “ 8 ”, the filter unit “ 9 ” can be removed. Remove any particles of food and rinse the filters under running water.
- Insert the filter unit “ 9 ” and tighten the coarse micro-filter.



Notice:

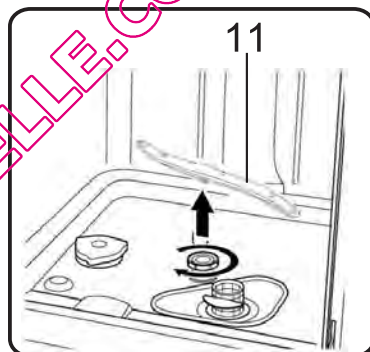
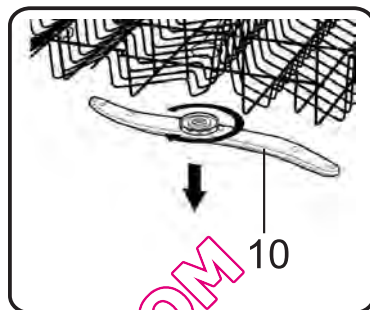
Before cleaning, make sure that the plug of the appliance has been removed from the socket.

Spray arms

Lime and remnants of food in the washing water can block the nozzles in the spray arms “ 10 ” and “ 11 ” and the arm mountings.

- Inspect the nozzles in the spray arms for blocked holes due to remnants of food.
- If necessary, pull the lower arm “ 11 ” upwards and lift it off.
- Unscrew the upper spray arm “ 10 ”.
- Clean both spray arms under running water.
- Refit the spray arms. Ensure that the lower arm has locked into place and the upper one is screwed tight.

Ensure that the power supply is turned off prior to removal and cleaning of any internal parts.



QUELLAVEVAISSELLE.COM

Resolving minor problems yourself

Experience has shown that you can resolve most problems that rise during normal daily usage yourself, without having to call out a service engineer. Not only does this save costs, but it also means that the appliance is available for use again that much sooner. The following list of common occurrences and their remedies should help you identify the causes of most problems.

...when the appliance is switched on

Appliance does not start up

- Fault with fuse in mains electricity supply.
- Plug not inserted in wall socket.
- Appliance door not closed properly.
- Programme button has not been pressed.
- Water tap not turned on.
- Blocked strainer in water intake hose.
 - The strainer is situated in the Aquastop or supply-hose connection.



Caution:

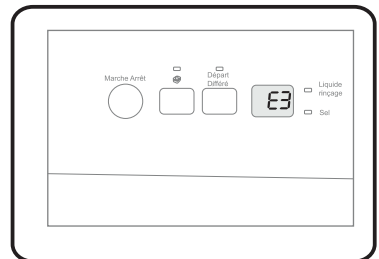
Do not forget that repairs should only be carried out by a qualified specialist. Improper repairs can lead to considerable equipment damage as well as danger to the user.

...with the appliance itself

When the buzzer emits 10 short warning signal every 30 seconds, the time-remaining indicator display "E3" and the programme indicator light.

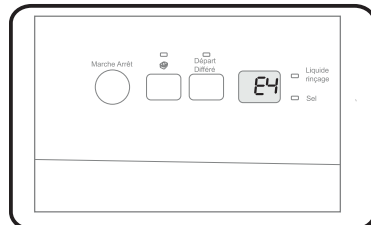
Have you checked whether:

- The drain hose is too low.



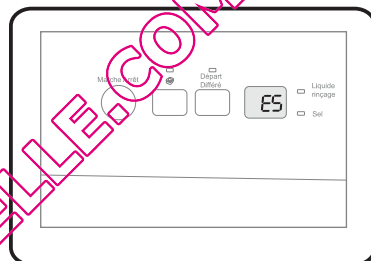
When the buzzer emits 10 short warning signals every 30 seconds, the time-remaining indicator display "E4" and the programme indicator light. Have you checked whether:

- The drain hose is crimped or bent.
- The drain hose is too high.



When the buzzer emits 10 short warning signals every 30 seconds, the time-remaining indicator display "E5" and the programme indicator light. Have you checked whether:

- The water is turned on and the hose is connected properly;
- The water supply to the house is on and has sufficient pressure;
- The water supply hose is crimped or bent;
- The filter for the water supply hose is clogged.
- The drain hose is too low.



When the buzzer emits 10 short warning signals every 30 seconds and the time remaining indicator display "E2", "E6", "E7", "E8", "E9", "EA" or "Eb", Contact the nearest authorized service center.

If you take all these checks and the dishwasher still does not function or your dishwasher have any other error display, you can power the dishwasher OFF, and wait a few minutes. You can power the dishwasher on, try it again, if the dishwasher still does not function and/or the problem persists, contact the nearest authorised service center and provide them with the following information:

- The nature of the problem.
- The model type number (Mod...) And the serial number (S/N...), which are indicated on the rating plate located on the side of the inner part of the door.

Lower spray arm rotates with difficulty

- Spray arm is blocked by small items or food remains.

Lid in detergent compartment cannot be closed

- Detergent compartment has been overfilled.
- Mechanism is clogged with remnants of detergent.

Remnants of detergent stuck inside dispenser

- Compartment was damp when it was filled up with detergent. Compartment must be dry before detergent is added.

Water remains inside appliance after programme has ended

- Blockage or kind in drainage hose.
- Pump is jammed.
- Filters are blocked.
- The programme is still running. Wait for the programme to end .

...during washing

Unusual amount of foam is creased

- Normal washing up liquid has been poured into the rinse-aid container.
- Remove any spilled rinse aid with a cloth as it could otherwise lead to excessive foaming during the next washing cycle.

Appliance stops suddenly while washing is taking place

- Cut off electricity supply to appliance.
- Water supply has been interrupted.

Knocking sound can be heard while washing is taking place

- A spray arm is knocking against the dishes inside the appliance.

Rattling sound can be heard while washing is taking place

- Crockery has not been stacked properly inside the appliance.

Knocking sound coming from inlet valves

- This is caused by the way the water pipes have been laid and it has no effect upon the way the appliance functions. There is no remedy for this.

...with the dishes, cutlery, etc.

Remnants of food are stuck to the dishes, cutlery, etc.

- Dishwasher was not loaded properly. Jets of water could not reach all parts of the dishes, ect.
- Too many items in the rack.
- Items in the rack were touching each other.
- Not enough detergent was added to dispenser.
- Selected wash programme was not intensive enough.
- Rotation of spray arm was obstructed by dishes, etc.
- Nozzles in spray arm are blokcked by remnants of food.
- Filters are blocked.
- Filters have been incorrectly fitted.
- Waste-water pump is jammed.

Plastic items are discoloured

- Not enough detergent was added to dispenser.
- Detergent has insufficient bleaching properties. Use a detergent containing a chemical bleaching agent.

White stains are left on crockery, glasses have a milky appearance

- Not enough detergent was added to dispenser compartment.
- Amount of rinse-aid was set too low.
- Although water is quite hard, no salt has been put in appliance.
- Water softener was set too low.
- Lid on salt container is not screwed tight.
If you used a phosphate-free detergent, try a detergent containing phosphates and compare results.

Dishes, cutlery, etc. have not been dried

- Selected programme did not include drying function.
- Amount of rinse-aid was set too low.
- Items were removed from dishwasher too soon.

Glasses have a dull appearance

- Amount of rinse-aid was set too low.

Tea stains or traces of lipstick have not been completely removed

- Detergent does not have a sufficient bleaching effect.
- Washing temperature was set too low.

Traces of rust on cutlery

- Cutlery is not sufficiently rustproof.
- Salt content in washing water is too high.
 - Lid on salt container is not screwed tight.
 - Too much salt was spilt while filling container.

Glasses become clouded and discoloured; coating cannot be wiped off

- Unsuitable detergent was used.
- Glasses are not dishwasher-proof.

Smears left behind on glasses and cutlery; glasses have acquired a metallic appearance

- Amount of rinse-aid set too high.

Width	60 cm
Depth	60 cm
Height	85 cm
Capacity	12 standard place settings
Mains water pressure	0.03-1.0MPa
Power voltage	220-240V~/50Hz
Fuse	13A
Total absorbed power	1900W

QUELLAVEVAISSELLE.COM

Notes on waste disposal

Old appliances still have some residual value. An environment-friendly method of disposal will ensure that valuable raw materials can be recovered and used again. When an appliance has reached the end of its working life, unplug it from the mains. Cut through the mains cable and dispose of it together with the plug.

Destroy the door locking mechanism. This will ensure that children at play cannot become locked inside and are not exposed to the risk of suffocation.


Your new appliance was protected by suitable packaging while it was on its way to you. All materials used for this purpose are environment-friendly and can be recycled. Please make a contribution to protecting the environment by disposing of the packaging appropriately.

Do not allow children to play with any parts of the packaging. There is a risk of suffocation by the cardboard boxes and the plastic wrapping.

Up-to-date information concerning options for disposal can be obtained from your retailer or local municipal administration.

Disposal



The symbol  on the product or on its packaging indicates that this product may not be treated as household waste. Instead it shall be handed over to the applicable collection point for the recycling of electrical and electronic equipment. By ensuring this product is disposed of correctly, you will help prevent potential negative consequences for the environment and human health, which could otherwise be caused by inappropriate waste handling of this product. For more detailed information about recycling of this product, please contact your local city office, your household waste disposal service or the shop where you purchased the product.

General information

- Measures must be taken to ensure that built-under and built-in units that are subsequently re-sited as free-standing appliances cannot topple over. This can be achieved by bolting the dishwasher to the wall or fitting it under a continuous work surface which is screwed to the adjacent cupboards.

Information on comparability tests implemented in compliance with EN 50242

Appliance loaded in accordance with standard specifications.

Example of loaded dishwasher: See Fig 1, 2 and 3

Capacity: 12 place settings

Comparability programme: ECO wash

Rinse-aid setting: 5

Detergent: prewash- 5g
mainwash- 25g

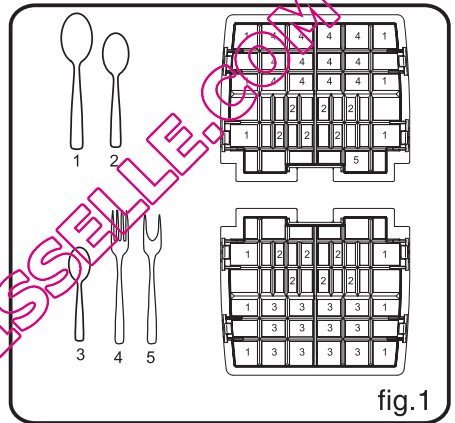


fig.1

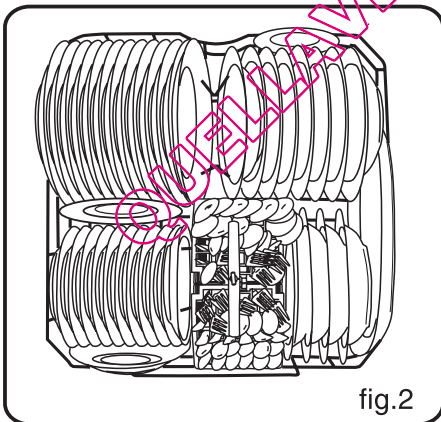


fig.2

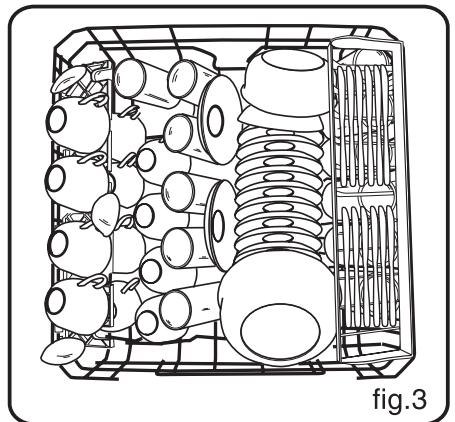


fig.3

When testing the washing performance, it is required that the top wheel of upper basket lies in the rolling way.

If the comparability tests do not comply fully with EN 50242, e.g., degree of soiling, type of dishes and cutlery, etc., contact the appliance manufacturer before starting the test.

Consignes de sécurité	2
Vaisselle inadéquate	4
Comment maintenir votre lave-vaisselle en bon état de fonctionnement	5
Installation	6
Faire connaissance avec votre lave-vaisselle	9
Comment remplir le réservoir de sel	11
Comment remplir le distributeur de liquide de rinçage?	13
Comment remplir le distributeur de détergent	14
Comment remplir votre lave-vaisselle	15
Tableau des programmes	17
Consommation	18
Laver la vaisselle	19
Nettoyage et entretien	24
Détection des pannes	26
Caractéristiques techniques	30
Remarques	31

QUELLAVEVAISSELLE.COM

A la livraison

- Vérifiez immédiatement l'emballage et le lave-vaisselle pour voir s'ils présentent des dégâts dus au transport. Ne mettez jamais un appareil endommagé en service, prévenez votre fournisseur ou votre service après-vente.
- Veuillez vous débarrasser des matériaux d'emballage conformément à la réglementation applicable.

Lors de l'installation

- **Vérifiez que le circuit de mise à la terre du secteur de la maison a été posé conformément à la réglementation.**
- Installez et branchez l'appareil conformément à la notice d'installation et de montage.
- Pendant toute la durée de l'installation, le lave-vaisselle doit être maintenu débranché du secteur.
- Les données de branchement électriques indiquées sur la plaque signalétique du lave-vaisselle et celles du secteur doivent concorder.
- N'intercalez jamais de rallonge entre la fiche mâle du lave-vaisselle et la prise femelle du secteur.
- Une fois l'appareil installé, sa fiche mâle doit demeurer accessible.
- Au cours de l'installation, assurez-vous que le cordon d'alimentation n'est pas plié ou écrasé de façon excessive, ce qui pourrait être dangereux.
- Cet appareil ne peut pas être installé à l'extérieur.

Utilisation quotidienne

- Le lave-vaisselle doit être utilisé exclusivement par des adultes, pour laver de la vaisselle et des ustensiles.
- Ne vous asseyez et ne montez jamais sur la porte ouverte. L'appareil pourrait basculer.
- L'eau contenue dans le compartiment de lavage n'est pas potable.
- Ne rajoutez jamais de solvants dans le compartiment de lavage. Risque d'explosion.
- Pendant le déroulement du programme, ouvrez prudemment la porte. De l'eau risque en effet d'être projetée hors de l'appareil.
- Ne touchez en aucun cas la résistance pendant ou après un cycle de lavage.
- Règles fondamentales à suivre en utilisant l'appareil:
 - Ne touchez jamais le lave-vaisselle à pieds-nus ou avec les mains ou les pieds humides;
 - N'utilisez pas des rallonges et des multiprises;
 - Si l'appareil ne fonctionne pas correctement ou si l'entretien doit être effectué, débranchez l'appareil.

Prudence avec les enfants

- Cet appareil n'est pas conçu pour être utilisé par des enfants ou des personnes handicapées sans qu'une surveillance soit assurée.
- Il est recommandé de tenir les jeunes enfants sous contrôle afin d'éviter qu'ils ne jouent avec le lave-vaisselle.
- Conservez les détergents hors de portée des enfants. Tenez les enfants à l'écart du lave-vaisselle lorsque celui-ci est ouvert.

Si le lave-vaisselle tombe en panne

- Si le lave vaisselle ne fonctionne pas, fermez le robinet d'arrivée d'eau et débranchez l'appareil. Puis, consultez le chapitre intitulé "Détection des pannes". Si vous ne pouvez résoudre le problème par vous-même, adressez-vous à un Service Après-vente.
- Les réparations doivent être réalisées exclusivement par du personnel spécialisé. Si le cordon d'alimentation est endommagé, il doit être remplacé par un câble spécial ou de montage disponible auprès du fabricant ou Service Après-vente.
- Afin de garantir l'EFFICACITÉ et la SÉCURITÉ de l'appareil, nous vous conseillons:
 - De toujours vous adresser à un Service Après-vente agréé par le fabricant.
 - De toujours utiliser des pièces d'origine.

Mise au rebut de l'appareil

- Pour la mise au rebut, rendez les appareils inutilisables en sectionnant le câble d'alimentation et en démontant le verrou de la porte.
- Débarrassez-vous de l'appareil en respectant la réglementation.



Avertissement:

Des enfants pourraient s'enfermer dans l'appareil (risque d'asphyxie) ou se mettre dans d'autres situations dangereuses.

Pour cela: retirez la prise de secteur, coupez le câble de secteur et mettez-le de côté. Démontez le verrou de la porte de sorte que la porte ne ferme plus.

Nous déconseillons de laver au lave-vaisselle

Les pièces de couvert et de vaisselle en bois car elles se délavent et leur aspect se dénature avec le temps; les colles à bois qu'elles contiennent ne sont pas adaptées aux températures du lave-vaisselle. N'y lavez pas non plus les verres et vases à décors délicats, en particulier les pièces de vaisselle anciennes impossibles à renouveler. Ces décors anciens n'ont pas été prévus pour être lavés au lave vaisselle.

Autres pièces inadaptées: pièces en plastiques sensibles à l'eau très chaude, vaisselle en cuivre et en étain. Les décors en verre, les pièces en aluminium et en argent peuvent se décolorer et palir pendant le lavage au lave-vaisselle. Certains verres peuvent s'opacifier après quelques passages dans l'appareil. Par ailleurs, les matériaux très absorbants comme les éponges et serviettes ne sont pas lavables au lave-vaisselle.

Recommandation:

N'achetez désormais que de la vaisselle dont le fabricant confirme son adéquation au lave-vaisselle.



Remarque:

Ne lavez jamais au lave-vaisselle les pièces de vaisselles salies par des cendres, de la cire, de la graisse minérale ou de la peinture.

Verres et vaisselle endommagés

Causes:

- La nature et le processus de fabrication du verre.
- La composition chimique du détergent.
- La température de l'eau et la durée du programme sur le lave-vaisselle.

Recommandation

- Utilisez des verres et de la porcelaine déclarés inaltérables au lave-vaisselle par son fabricant.
- Utilisez un détergent dont l'emballage mentionne qu'il ménage la vaisselle. Consultez les fabricants de détergent.
- Sélectionnez un programme de courte durée et ayant la plus basse température possible.
- Pour empêcher qu'ils s'endommagent, sortez les verres et les couverts du lave-vaisselle le plus rapidement possible une fois le programme terminé.

Après chaque cycle de lavage

Après chaque lavage, fermez le robinet d'arrivée d'eau et laissez la porte légèrement entrouverte, de façon à libérer les moisissures et les odeurs susceptibles de se former à l'intérieur de l'appareil.

Débrancher l'appareil

Débranchez toujours l'appareil avant de procéder aux opérations de nettoyage ou d'entretien. Ne prenez aucun risque.

Éviter les solvants et les produits d'entretien abrasifs

Pour le nettoyage de l'extérieur et des parties en caoutchouc de l'appareil, n'utilisez en aucun cas de solvants ou de produits d'entretien abrasifs. Utilisez un chiffon imbibé d'une solution d'eau chaude et de savon.

Pour enlever les taches ou salissures présentes sur la surface intérieure de votre appareil, utilisez un chiffon que vous tremperez dans une solution d'eau et de vinaigre blanc, ou un produit d'entretien spécifique pour lave-vaisselle.

Comment déplacer votre appareil

Si vous devez déplacer votre appareil, veillez à le laisser dans la position verticale. Si cela est absolument nécessaire, il peut éventuellement être posé sur le dos.

Joint

La présence de résidus d'aliments dans les interstices des joints du lave-vaisselle constitue l'un des facteurs influençant la formation d'odeurs à l'intérieur de celui-ci.

Nettoyez régulièrement les joints avec une éponge pour éviter cet inconvénient.

La porte ne doit rester ouverte en grand angle, cela représente un risque de se faire coincer les mains ou les doigts.

Absence prolongée

En cas d'absence prolongée, il est conseillé de lancer un cycle de lavage à vide, de débrancher l'appareil, de fermer le robinet d'arrivée d'eau et de laisser la porte de l'appareil légèrement entrouverte. Cette précaution permet d'allonger la durabilité des joints et empêche la formation de mauvaises odeurs à l'intérieur du lave-vaisselle.

Comment installer l'appareil

Installez l'appareil à l'endroit souhaité. Le dos de l'appareil doit reposer contre le mur et les parois latérales doivent être parallèles aux parois du meuble adjacent ou du mur. Le lave-vaisselle est équipé de tuyaux d'alimentation et de vidange de l'eau. Ces tuyaux peuvent être installés à droite ou à gauche, pour faciliter l'installation correcte de l'appareil.

Comment mettre l'appareil au niveau

Dès que l'appareil est mis en place, réglez les pieds du lave-vaisselle en les vissant ou en les dévissant jusqu'à ce que l'appareil soit au niveau. Dans tous les cas, l'appareil doit présenter une inclinaison inférieure à 2°. Une mise à niveau correcte de l'appareil est un gage de garantie pour des résultats satisfaisants.

Raccordement à l'arrivée d'eau froide

Raccordez le tuyau d'arrivée d'eau froide à un connecteur • fileté et assurez-vous qu'il est solidement fixé (voir fig.A)

Si les conduits d'eau sont neufs ou n'ont pas été utilisés pendant une longue période, faites couler l'eau pour vous assurer qu'elle est propre et dépourvue d'impuretés. En ne prenant pas cette précaution, vous courez le risque de boucher le conduit d'arrivée d'eau et d'endommager l'appareil.

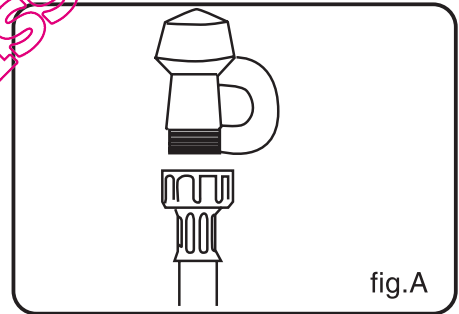


fig.A



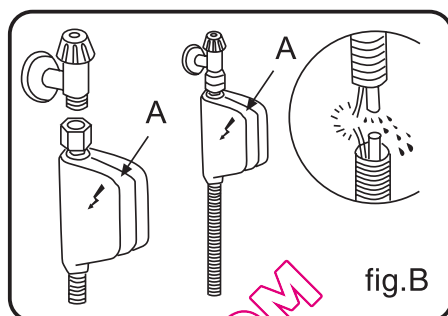
Avertissement

L'appareil doit être rattaché à une arrivée d'eau par un ensemble de tuyaux neufs, l'utilisation de tuyaux déjà utilisés est fortement déconseillée.

Quelques modèles sont équipés avec un tuyau Aquastop (voir fig. B). Un petit filtre à eau est déjà inclus dans la partie fileté du raccord.



Tension dangereuse

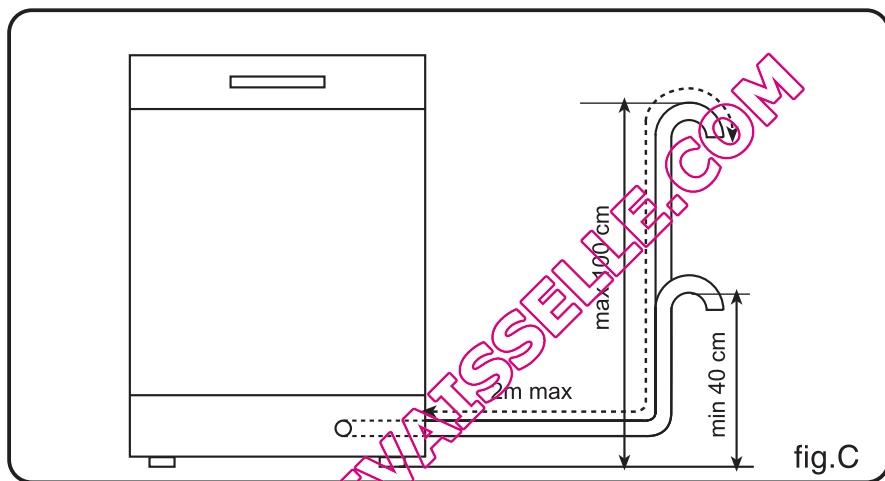


Protection contre les risques d'inondation

Votre lave-vaisselle est équipé d'un dispositif qui coupe l'arrivée d'eau lorsqu'un problème survient au niveau du tuyau d'alimentation ou en cas de fuite à l'intérieur de l'appareil, afin d'éviter que ces incidents ne provoquent des dégâts à votre habitation. Si, pour une raison quelconque, le boîtier renfermant les composants électriques est endommagé, débranchez immédiatement l'appareil. Afin de garantir le fonctionnement correct du dispositif de protection contre les inondations, il est nécessaire que le boîtier "A" traversé par le tuyau d'alimentation soit fixé au robinet d'arrivée d'eau comme illustré dans la fig. B. Seul ce type de raccordement est valable. Ne sectionnez en aucun cas le tuyau d'alimentation car il contient des composants électriques sous tension. Si la longueur du tuyau est insuffisante pour garantir un raccordement correct, remplacez-le par un tuyau de longueur appropriée. Vous pouvez vous procurer ce tuyau auprès de revendeurs spécialisés ou d'un Service Après-vente agréé.

Raccordement du tuyau de vidange

Introduisez le tuyau de vidange dans une conduite de vidange d'un diamètre de 4cm minimum, ou déposez-le directement dans l'évier en veillant à ce qu'il ne soit ni plié ni écrasé. Utilisez le support en plastique prévu à cet effet, fourni avec l'appareil (voir fig. C). L'extrémité libre du tuyau doit se trouver à une hauteur comprise entre 40 et 100cm et ne doit pas être immergée dans l'eau.



Avertissement:

Le support en plastique doit être solidement fixé au mur pour éviter que le tuyau ne se déplace et que de l'eau ne se répande au sol.

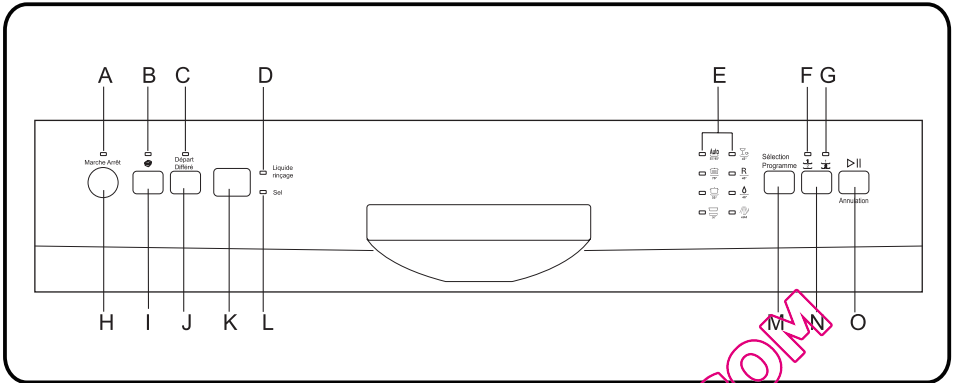
Branchement électrique

Après vous être assuré que la tension d'alimentation et la fréquence de votre habitation correspondent à celles figurant sur la plaque signalétique (située sur la paroi intérieure en acier inoxydable de la porte de votre appareil), et que l'installation électrique est prévue pour supporter la tension maximale indiquée sur la plaque signalétique, introduisez la fiche dans une prise du secteur correctement reliée à la masse (la mise à la terre de l'appareil est obligatoire aux termes de la loi).











Avertissement:

La prise du lave-vaisselle doit être accessible même quand l'appareil est encastré pour que la maintenance puisse être faite en toute sécurité.

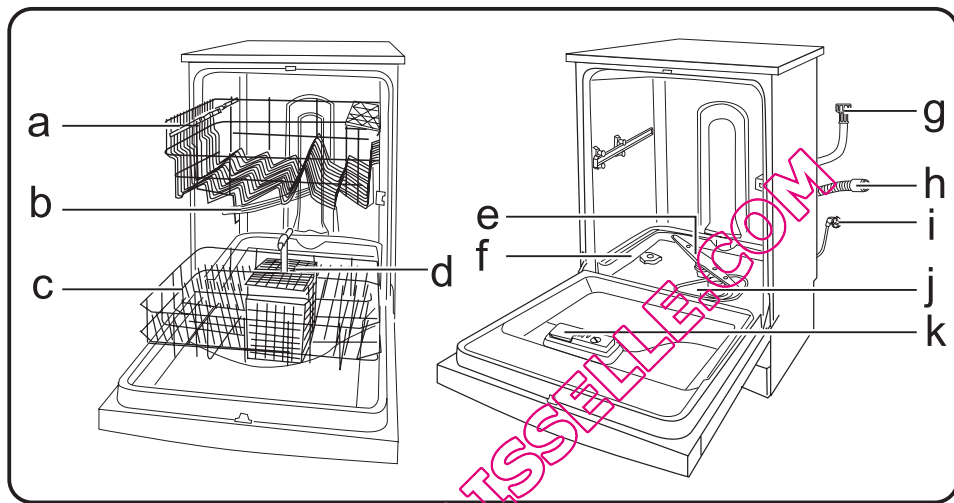


- A** Indicateur marche/arrêt
- B** Indicateur d'utilisation de tablettes multifonctionnelles
- C** Interrupteur départ différé
- D** Indicateur aide de rinçage insuffisante
- E** Symboles des programmes
- F** Fonction de lavage du panier supérieur
- G** Fonction de lavage du panier inférieur
- H** Interrupteur marche/arrêt
- I** Bouton d'utilisation de tablettes multifonctionnelles
- J** Interrupteur départ différé
- K** Indicateur du temps restant
- L** Indicateur de sel insuffisant
- M** Interrupteur programmes
- N** Fonction lavage demi charge
- O** Interrupteur marche/pause

Aperçu des fonctions

-  Appuyez sur ce bouton pour sélectionner la fonction Tablettes multifonctionnelle
-  Appuyez sur ce bouton pour différer le départ du programme.
-  Appuyez sur ce bouton pour sélectionner le programme désiré.
-  Appuyez sur ce bouton pour sélectionner la fonction lavage demi charge
-  Fonction de lavage du panier supérieur.
-  Fonction de lavage du panier inférieur
-  Appuyez sur ce bouton pour démarrer ou interrompre le programme.
-  Appuyez sur ces deux touches pour annuler le programme.

Descriptif de l'intérieur de votre lave-vaisselle



a panier supérieur

b bras d'aspersion supérieur

c panier inférieur

d panier à couverts

e bras d'aspersion inférieur

f réservoir pour le sel

g tuyau d'entrée d'eau

h tuyau d'écoulement d'eau

i cordon d'alimentation électrique

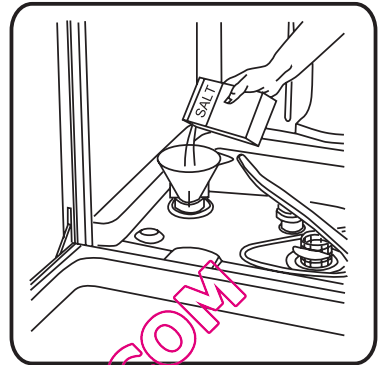
j filtre de lavage

k récipients pour le détergent et le liquide de rinçage

Le sel

Le degré de dureté de l'eau varie d'un endroit à l'autre. Si l'eau qui alimente votre lave-vaisselle est dure, des dépôts se formeront sur la vaisselle et sur les ustensiles de cuisson.

Cet appareil est équipé d'un système d'adoucissement spécial qui utilise un sel spécialement conçu pour éliminer le calcaire et les minéraux présents dans l'eau.

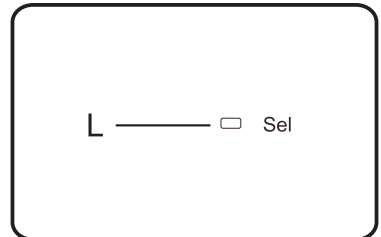


Comment remplir le sel?

Utilisez exclusivement du sel spécial pour lave-vaisselle.

Le réservoir de sel est situé en dessous du panier inférieur et doit être rempli de la manière suivante:

- Si l'indicateur "L" clignote il faut remplir le réservoir de sel.
- Enlevez le panier inférieur, puis dévissez le bouchon du réservoir de sel et enlevez-le.
- Si vous remplissez le réservoir de sel pour la première fois, remplissez-le d'eau.
- Placez l'extrémité de l'entonnoir (fourni) dans l'orifice et versez 2kg de sel environ. Il est normal qu'une petite quantité d'eau s'échappe du distributeur de sel.
- Revissez soigneusement le bouchon.



Important:

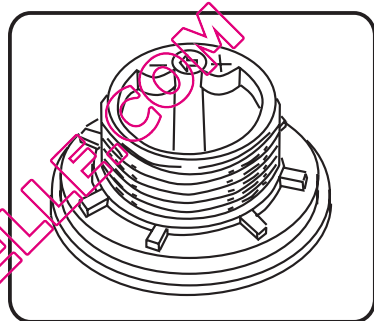
Afin d'éviter la formation de rouille, remplissez le distributeur de sel juste avant de lancer un cycle de lavage.

Réglage de la quantité de sel

Le lave-vaisselle est conçu de manière à ce que vous puissiez régler la quantité de sel nécessaire, en fonction du degré de dureté de l'eau de votre habitation. Ceci, afin de permettre d'optimiser et d'adapter la quantité de sel utilisée lors de chaque lavage en limitant celle-ci au minimum. Adressez-vous à votre société locale de distribution de l'eau pour connaître la classe de dureté de votre zone.

Pour régler la quantité de sel nécessaire, procédez de la façon suivante:

- Dévissez le bouchon du réservoir de sel.
- Le réservoir de sel est doté d'une rondelle sur laquelle figure une flèche (voir la figure ci-contre).
- Au besoin, tournez la rondelle dans le sens inverse des aiguilles d'une montre, de la position "-" vers la position "+", en fonction du degré de dureté de l'eau.



Il est recommandé de faire le réglage en fonction du tableau ci-dessous:

Dureté de l'eau			Position sélecteur	Consommation sel (grammes/cycle)	Autonomie (cycles/2Kg)
°dH	°FH	°mmol/l			
0-16	0-17	0-1,7	/	0	/
10-25	18-44	1,8-4,4	-	20	60
25-50	45-89	4,5-8,9	MED	40	40
>50	>89	>8,9	+	60	25

-L'adoucisseur est réglé en usine sur -.

En cas d'utilisation de pastilles multifonction remplissez tout de même le réservoir de sel et réglez sur -;si la dureté de l'eau dépasse 60 °fH, réglez sur +.

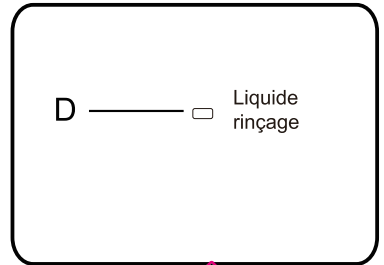
Comment remplir le distributeur de liquide de rinçage?

FR

Liquide de rinçage

Ce produit permet de faire briller votre vaisselle et facilite le séchage sans laisser de traces. Le distributeur de liquide de rinçage est situé sur la paroi intérieure de la porte.

Remplissez-le lorsque l'indicateur de niveau de liquide de rinçage "D" et l'indicateur "1" sur le distributeur clignotent.

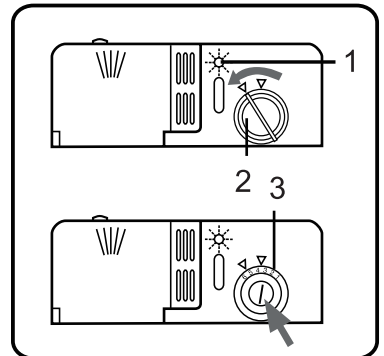


Remarque importante:

Si vous utilisez des tablettes Tout-en-1, le liquide de rinçage n'est plus nécessaire.

Remplir le distributeur de liquide de rinçage

Pour ouvrir le distributeur de liquide de rinçage, tournez le bouchon "2" dans le sens inverse des aiguilles d'une montre et remplissez le distributeur en veillant à ne pas faire déborder le liquide. Vous pouvez régler la quantité de liquide de rinçage nécessaire en tournant la vis de réglage "3", située en dessous du bouchon "2", à l'aide d'un tournevis. Il existe 6 positions de réglage; la position 3 correspond à la quantité normale.



Importante:

Une quantité de liquide de rinçage correctement dosée améliore le séchage. Si vous constatez des gouttes d'eau ou des taches sur votre vaisselle, il convient de régler le dosage sur une position supérieure.

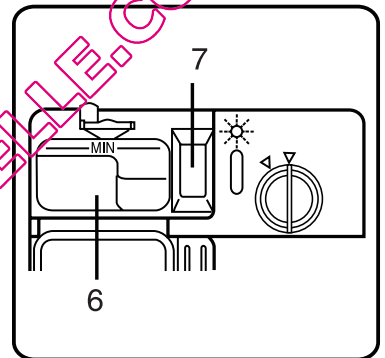
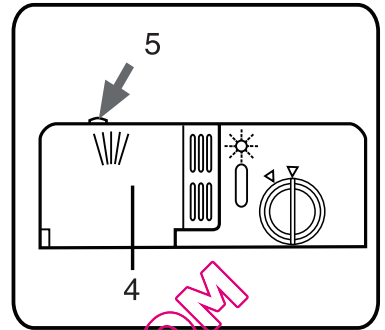
Si les assiettes présentent des striures blanches, réglez le dosage sur une position inférieure.

Détergent

Utilisez exclusivement un détergent spécial pour lave-vaisselle. Remplissez le distributeur de détergent avant de lancer un nouveau cycle de lavage, en respectant les instructions fournies dans le "Tableau des programmes." Le distributeur de détergent est situé sur la paroi intérieure de la porte.

Remplir le distributeur de détergent

- Pour ouvrir le couvercle "4" du distributeur, appuyez sur la touche "5".
- Versez le détergent destiné au cycle de lavage dans le compartiment "6".
- Versez le détergent destiné au pré-lavage dans le compartiment "7".
- Dès que vous avez rempli le distributeur de détergent refermez le couvercle et appuyez jusqu'à ce que vous entendiez un déclic.



Utilisation de tablettes multifonctionnelles "tout-en-1"

- Pour ouvrir le couvercle "4" du distributeur, appuyez sur la touche "5".
- Mettez la tablette dans le compartiment "6".
- Dès que vous avez mis la tablette dans le distributeur de détergent refermez le couvercle et appuyez jusqu'à ce que vous entendiez un déclic.



Attention:

Si vous utilisez des tablettes Tout-en-1, sélectionner l'option "utilisation de tablettes"



Attention:

Afin de pouvoir refermer aisément le couvercle, nettoyez les bords de celui-ci en éliminant toute trace de détergent.

Avant de ranger la vaisselle dans votre lave-vaisselle, éliminez tous les résidus d'aliments pour éviter que le filtre ne se bouche, ce qui compromettrait les résultats de lavage. Si des aliments carbonisés et par conséquent très difficiles à détacher sont présents dans le fond de vos cocottes et casseroles, faites-les tremper avant de les laver au lave-vaisselle. Ceci permettra de ne pas effectuer de cycles de lavage supplémentaires. Tirez le panier vers vous afin de faciliter le chargement de la vaisselle.

Comment utiliser le panier inférieur

Nous vous conseillons de ranger les articles nécessitant un lavage plus puissant sur le panier inférieur: cocottes, casseroles, couvercles, plats de service et saladiers, comme représenté dans la figure de droite.

Il est recommandé de ranger les plats de service et les couvercles sur les côtés du panier afin de ne pas entraver la rotation du bras d'aspersion supérieur.

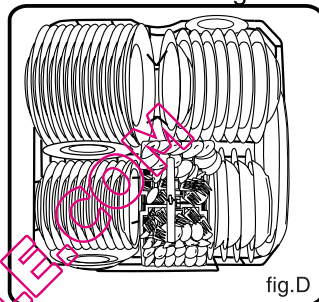


fig.D



fig.E

- Rangez toujours les cocottes, saladiers, etc. en les retournant (voir la fig.D).
- Rangez les cocottes profondes en les inclinant pour permettre à l'eau de s'écouler.
- Quelques modèles: les particularités de support inférieures replient des rangées de dent (voir la fig.E) sont pour que plus grand ou plus de vaisselles puissent être chargés.
- Le panier à couverts peut être réduit de moitié (voir la fig.F), ce qui permet de n'utiliser qu'une des deux sections lorsque la quantité de couverts est peu importante. Dans ce cas, vous disposez de plus d'espace pour ranger des cocottes ou des casseroles supplémentaires. Vous pouvez également placer le panier à couverts dans le panier supérieur.
- Rangez les couverts dans le panier à couverts en positionnant le manche vers le bas; si le panier dispose de paniers latéraux, disposez chaque cuillère dans les fentes prévues à cet effet. Les ustensiles particulièrement longs doivent être rangés à l'horizontal, dans la partie avant du panier supérieur.

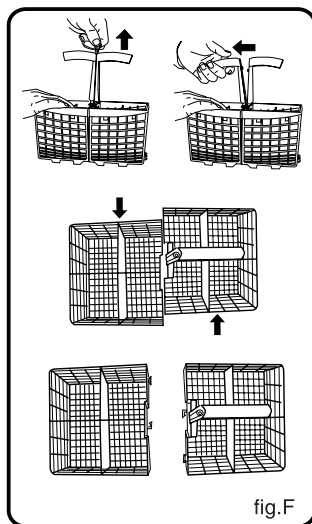


fig.F

Comment utiliser le panier supérieur

Le panier supérieur est conçu pour recevoir de la vaisselle plus fragile et légère telle que verres, tasses à café et à thé, saucières, de même que des assiettes, de petits bols et des casseroles peu profondes (si elles ne sont pas trop sales.)

- Installez la vaisselle et les ustensiles de cuisson de façon à ce qu'ils ne puissent être déplacés par le jet d'eau.
- Le panier supérieur peut être réglé en hauteur (voir la fig. G).

Ajustez le panier supérieur à un niveau plus haut et vous aurez plus d'espace pour charger des casseroles et plats plus grands dans le panier.

L'étagère

Appuyez les verres hauts et les verres à pied contre le bord de l'étagère, pas contre la vaisselle. Les verres, les tasses et les grands bols se rangent sur l'étagère du haut.

Vous pouvez faire basculer l'étagère dans les deux sens (voir la fig. H).

Etagère à couteaux

Les agrafes de support de couteau sur le côté du panier supérieur vous permettent de laver les grands couteaux pointus séparément et vous évitent de vous blesser (voir la fig. I).



Attention:

Des couteaux et d'autres ustensils avec les points pointus doivent être chargés dans le panier avec leurs points vers le bas ou être placés dans une position horizontale.

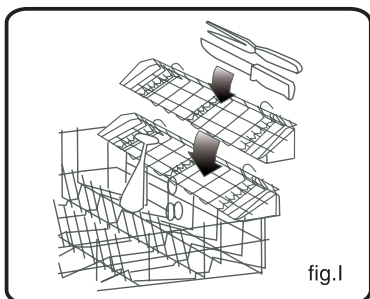
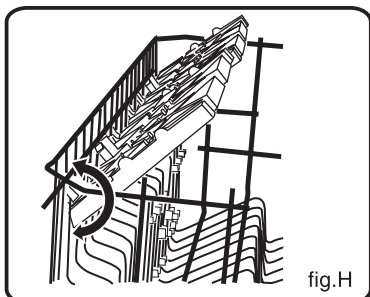
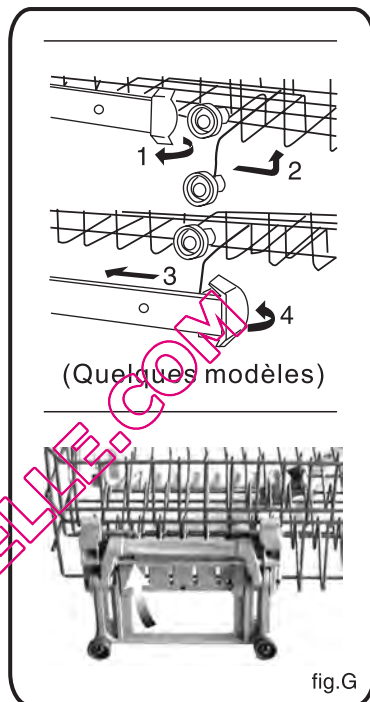










Tableau des programmes

FR

Programme de lavage	Type de vaisselle	Type de résidus	Quantité de résidus alimentaires	Etat des résidus alimentaires	Description du cycle
 55°/65° Lavage Automatique	Résistante (par ex. porcelaine, casserole, couverts, verres, etc.)	Soupes, soufflés. sauces, pommes de terre, pâtes, riz, oeufs, plats rôtis	Grande	Très adhérents	Prélavage à l'eau froide. Lavage prolongé à 55° ou 65°C. 1 ou 2 rinçages à l'eau froide. Rinçage à l'eau chaude. Séchage.
 70° Lavage Intensif					Prélavage à l'eau chaude. Lavage prolongé à 70°C. Rinçage à l'eau froide. Rinçage à l'eau chaude. Séchage.
 55° Lavage Normal					Prélavage à l'eau froide. Lavage prolongé à 55°C. Rinçage à l'eau froide. Rinçage à l'eau chaude. Séchage
 50° ECO (EN50242)	Mixte (par ex. porcelaine, casserole, couverts, verres, etc)	Soupes, soufflés. sauces, pommes de terre, pâtes, riz, oeufs, plats rôtis	Faible	Peu adhérents	Prélavage à l'eau froide. Lavage prolongé à 50°C. Rinçage à l'eau froide. Rinçage à l'eau chaude. Séchage
 45° Verres					Lavage à 45°C. Rinçage à l'eau froide. Rinçage à l'eau chaude. Séchage
 40° Lavage Rapide					Lavage rapide à 40°C. Rinçage à l'eau chaude.
 48° Green		Soupes, soufflés. sauces, pommes de terre, pâtes, riz, oeufs, plats rôtis			Lavage prolongé à 48°C. Rinçage à l'eau froide. Rinçage à l'eau chaude. Séchage
 cold Trempage froid		Passer la vaisselle sous le robinet si elle doit séjourner plusieurs jours dans le lave-vaisselle avant le lavage.			Lavage rapide à froid pour éviter que des résidus d'aliments ne séchent sur la vaisselle.

Options additionnelles				Détergent		Liquide de rinçage	Durée en minutes
3 en 1	Départ différé	Panier sup.	Panier inf.	Prélavage	Lavage prolongé		
Oui	Oui	—	—	5g	25g	◆	75-110
		◆	—	5g	25g	◆	52-82
		—	◆	5g	25g	◆	66-98
Oui	Oui	—	—	5g	25g	◆	112
		◆	—	5g	25g	◆	86
		—	◆	5g	25g	◆	94
Oui	Oui	—	—	5g	25g	◆	102
		◆	—	5g	25g	◆	78
		—	◆	5g	25g	◆	90
Oui	Oui	—	—	5g	25g	◆	167*
		◆	—	5g	25g	◆	118
		—	◆	5g	25g	◆	135
Oui	Oui	—	—	5g	25g	◆	92
		◆	—	5g	25g	◆	72
		—	◆	5g	25g	◆	82
Non	Oui	—	—	—	15g	◆	32
		◆	—	—	15g	◆	28
		—	◆	—	15g	◆	30
Oui	Oui	—	—	5g	25g	◆	108
		◆	—	5g	25g	◆	88
		—	◆	5g	25g	◆	98
Non	Oui	—	—	—	—	—	12
		◆	—	—	—	—	8
		—	◆	—	—	—	10

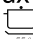
◆ sélectionné — pas sélectionné*

Essais comparatifs selon EN 50242
avec réglage du liquide de rinçage: 5

Sélection du programme

Le type de vaisselle, la quantité et l'état des résidus alimentaires vous permettent, en consultant le tableau des programmes de déterminer celui dont vous avez besoin. Le déroulement du programme et les données qui lui correspondent se trouvent à droite du tableau des programmes.

Exemple:

En présence de vaisselle mixte comportant de nombreux résidus alimentaires très adhérents, vous aurez besoin du programme "Normal"  .

Conseil économie

Si le lave-vaisselle est peu chargé, le programme immédiatement inférieur suffit bien souvent.

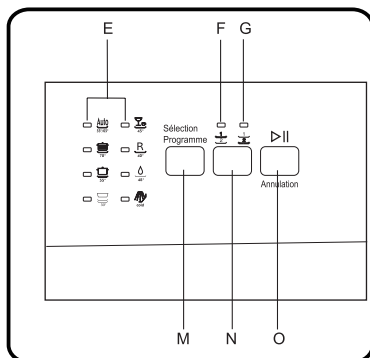
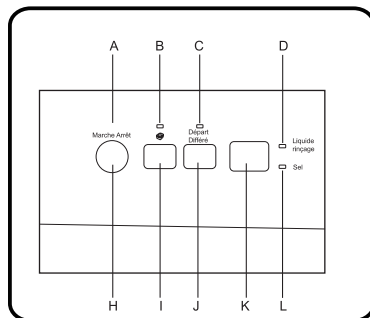
Données de programme

Les données de programme énoncées se réfèrent à des conditions normales. Les valeurs peuvent changer considérablement selon les paramètres suivants:

- Quantités variables de vaisselle
- Température d'arrivée de l'eau
- Pression dans les conduites d'eau
- Température ambiante
- Variations de la tension secteur
- Tolérances propres au lave-vaisselle (par ex. la température, la quantité d'eau...)

Mise en service de l'appareil

- Chargez l'appareil et ouvrez le robinet d'eau. Fermez la porte. Appuyez sur la touche Marche/Arrêt "H" et l'indicateur Marche/Arrêt "A" s'allume.
- Appuyez sur la touche "M" pour sélectionner le programme désiré et l'indicateur correspondant "E" s'allume.
- Appuyez sur le bouton marche/arrêt L, le lave-vaisselle se mettra en marche immédiatement et l'indicateur correspondant clignote.



Fin du programme

Six signaux sonores indiquent la fin du programme. L'indicateur du temps restant s'éteindra.

Mise hors service de l'appareil

Quelques minutes après la fin du programme:

- Eteignez l'appareil en appuyant sur l'interrupteur Marche/Arrêt.
- Ouvrez la porte.
- Une fois la vaisselle refroidie, retirez-la.
- Fermez le robinet d'eau.

Interruption d'un programme

- Ouvrez la porte. Attention, il se peut que l'eau éclabousse et coule de l'appareil. Attendez que le bras d'aspersion se soit immobilisé avant d'ouvrir la porte en grand.
- Si le lave-vaisselle est raccordé à l'eau chaude ou s'il a déjà chauffé et que vous avez ouvert la porte, laissez-la d'abord entrebâillée quelques minutes puis refermez-la. Sinon elle risque de s'ouvrir toute seule sous l'effet de la dilatation.
- Fermez la porte. Après 30 secondes le programme commencera à partir du point où il a été interrompu.



Remarque:

Interrompez ou effacez un programme seulement si cela est absolument nécessaire.

Annulation ou modification d'un programme en cours

- Un cycle en cours ne peut être modifié que s'il a été lancé peu de temps avant. Si tel n'est pas le cas, il se peut que le détergent ait déjà été utilisé et que l'appareil ait déjà effectué la vidange de l'eau de lavage. Dans ce cas, il est nécessaire de remplir à nouveau le distributeur de détergent (voir le paragraphe intitulé "Comment remplir le distributeur de détergent").
- Si vous souhaitez modifier un cycle en cours, suivez les instructions de "Remise à zéro de l'écoulement" et tous les réglages seront annulés. Pour régler un nouveau cycle, suivez les instructions contenues dans le paragraphe "Mise en service de l'appareil".

Utilisation de tablettes multifonctionnelles

Remarques générales

- Avant d'utiliser ce genre de tablettes, assurez-vous que le degré de dureté de votre eau est compatible avec un tel produit. Les degrés compatibles se trouvent sur l'emballage des tablettes.
- Ces produits doivent être utilisés selon les instructions du fabricant.
- Si vous rencontrez des problèmes lors de votre première utilisation d'un produit "3 en 1" contactez l'assistance téléphonique du fabricant (le numéro se trouve sur l'emballage).

Conseil:

Lors de l'utilisation de tablettes, l'ajout de sel et de liquide de rinçage n'est pas nécessaire.

Sélectionner l'option "utilisation de tablettes":

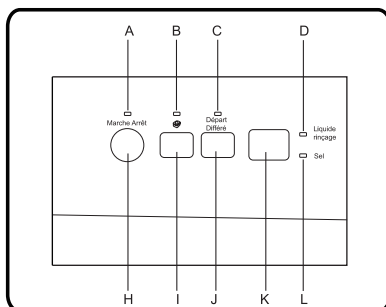
- Fermez la porte. Sélectionner le programme puis appuyer sur le bouton "I" d'utilisation de la tablette multifonctionnelle jusqu'à l'allumage de l'indicateur "B" d'utilisation de la tablette multifonctionnelle.
- Appuyez sur le bouton marche/arrêt "O", le lave-vaisselle se mettra en marche immédiatement et les indicateurs de programme et d'utilisation de tablettes "B" clignotent.

Annuler l'option " utilisation de tablettes "

Suivez les instructions d'annulation d'un programme en cours.

Si vous décidez d'utiliser un détergent classique, nous vous recommandons :

- Remplissez les récipients de sel et d'aide de rinçage.
- Ajustez la sélection du degré de dureté de l'eau au maximum et faites marcher l'appareil pendant 3 cycles normaux sans charge.
- Réajustez la sélection du degré de dureté de l'eau à celle qui correspond à votre région. (Pour plus d'informations, consultez votre notice d'emploi.)



**Attention:**

Ne placez pas les tablettes ailleurs dans la machine que dans le récipient pour détergent. La conséquence sera un lavage médiocre.

**Remarque:**

L'utilisation de tablettes 3 en 1 ou de produits similaires est interdit lorsque vous sélectionnez les programmes lavage rapide et trempage.

Lavage du panier supérieur

Cette fonction vous permet de laver de la vaisselle en utilisant seulement le panier supérieur si vous n'avez pas assez de vaisselle pour une charge complète. Cela vous permettra d'économiser de l'eau ainsi que de l'énergie.

Sélectionner la fonction de lavage du panier supérieur

- Fermez la porte. Sélectionnez le programme désiré puis appuyez sur la touche option additionnelle jusqu'à ce que l'indicateur $\frac{1}{2}$ de lavage du panier supérieur s'allume.
- Appuyez sur le bouton marche/arrêt, l'appareil se mettra immédiatement en route et l'indicateur de programmes ainsi que l'indicateur $\frac{1}{2}$ de lavage du panier supérieur clignotent.

Annuler l'option " lavage du panier supérieur "

Suivez les instructions d'annulation d'un programme en cours.

Lavage du panier inférieur

Cette fonction vous permet de laver de la vaisselle en utilisant seulement le panier inférieur si vous n'avez pas assez de vaisselle pour une charge complète. Cela vous permettra d'économiser de l'eau ainsi que de l'énergie.

Sélectionner la fonction de lavage du panier inférieur

- Fermez la porte. Sélectionnez le programme désiré puis appuyez sur la touche option additionnelle jusqu'à ce que l'indicateur $\frac{1}{2}$ de lavage du panier inférieur s'allume.
- Appuyez sur le bouton marche/arrêt, l'appareil se mettra immédiatement en route et l'indicateur de programmes ainsi que l'indicateur $\frac{1}{2}$ de lavage du panier inférieur clignotent.

Annuler l'option " lavage du panier inférieur "

Suivez les instructions d'annulation d'un programme en cours.

**Remarque:**

Pensez à adapter la quantité de détergent en utilisant ces fonctions.

Programmer un départ différé

Vous pouvez différer le départ d'un programme de 1 à 24 heures.

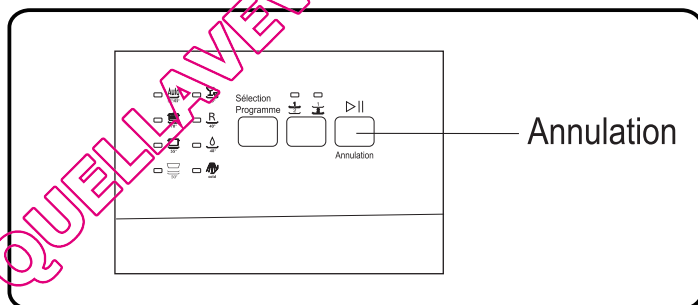
- Fermez la porte et allumez l'appareil.
- Sélectionnez le programme désiré.
- Appuyez sur l'interrupteur départ différé, l'indicateur du temps restant indique "1".
- Appuyez sur l'interrupteur départ différé autant de fois nécessaires jusqu'à ce qu'il affiche le temps désiré.
- Pour annuler l'option de départ différé, appuyez sur l'interrupteur de départ différé jusqu'à ce que l'indicateur de temps restant s'éteigne.
- Appuyez sur le bouton départ/pause, l'indicateur de temps restant clignote et commence un compte à rebours. Le programme commencera lorsque l'indicateur de fin différé s'éteint et le cycle de lavage commence.

Annuler l'option " départ différé "

Suivez les instructions d'annulation d'un programme en cours.

Arrêt en cours du programme (Annulation)

Vous pouvez utiliser cette option pour arrêter le cycle de lavage en cours en appuyant le bouton de remise à zéro pendant 3 secondes et l'appareil s'arrêtera quelques minutes plus tard, après l'écoulement d'eau.



Un contrôle et un entretien régulier de votre machine aideront à anticiper les pannes. Vous économiserez de l'argent et de l'énergie. Pour cette raison, examinez de temps en temps soigneusement l'intérieur de votre lave-vaisselle.

Etat général de l'appareil

- Vérifiez si le compartiment de lavage présente des dépôts de graisse et de tartre. Si vous trouvez de tels dépôts:
- Lavez la machine à fond avec du détergent.

Sel spécial

Contrôlez l'indicateur de manque de sel "L". Rajoutez du sel spécial si nécessaire.

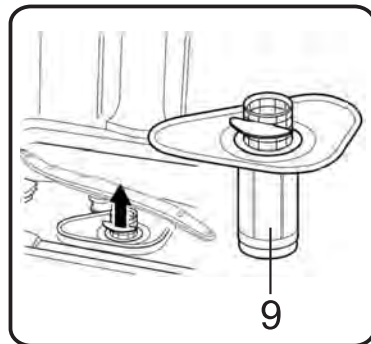
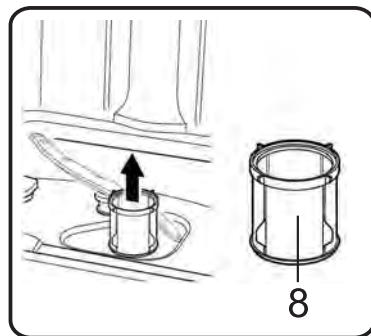
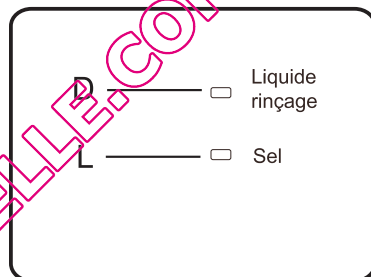
Liquide de rinçage

Sur le bandeau, vérifiez l'indicateur "D" de remplissage du liquide de rinçage. Rajoutez-en le cas échéant.

Filtres

Les filtres "8", "9" empêchent les souillures grossières contenues dans l'eau de rinçage de s'approcher de la pompe. Ces souillures peuvent parfois boucher les filtres.

- Après chaque rinçage, vérifiez si les filtres présentent des résidus alimentaires; le cas échéant, nettoyez-les.
- Après avoir détaché le microfiltre "8", vous pouvez extraire l'ensemble filtrant "9". Enlevez les résidus puis nettoyez les filtres sous l'eau courante.
- Remettez l'ensemble filtrant "9" en place puis remettez le microfiltre.



Remarque importante:

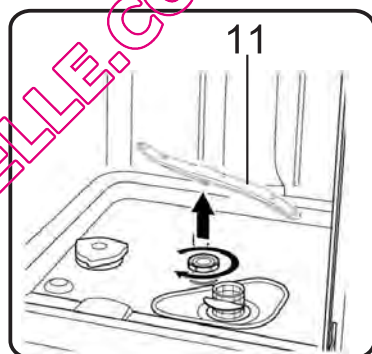
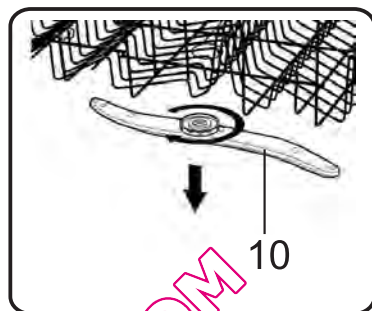
Avant le nettoyage, assurez-vous que la prise d'appareil est débranchée.

Les bras d'aspersion

Le tartre et les impuretés en suspension dans l'eau de vaisselle peuvent boucher les buses; les dépôts risquent, eux, de bloquer les bras d'aspersion "10" et "11".

- Vérifiez si des résidus alimentaires bouchent les buses de sortie des bras pivotants d'aspersion.
- Le cas échéant, soulevez le bras rotatif inférieur "11".
- Dévissez le bras rotatif supérieur "10".
- Nettoyez les bras sous l'eau du robinet.
- Réinsérez le bras rotatif inférieur et revissez le bras rotatif supérieur.

Avant le nettoyage, assurez-vous que la prise d'appareil a été enlevée de la douille.



QUELLAVEVAISSELLE.COM

Remédier soi-même aux petites pannes

L'expérience montre que la plupart des dérangements survenant à l'usage quotidien peuvent être supprimés sans avoir à appeler le service après-vente.

Ceci économise évidemment des frais et remet rapidement l'appareil en bon fonctionnement. Le récapitulatif ci-après vous aidera à trouver les causes des dérangements.

Dérangements...

... à la mise en service

L'appareil ne démarre pas

- Fusibles de la maison grillés.
- Fiche mâle de l'appareil débranchée de la prise secteur.
- Porte de l'appareil incorrectement fermée.
- Touche de programmation pas enfoncée.
- Robinet d'eau pas ouvert.
- Filtre du flexible d'arrivée d'eau bouché.

Le crible se trouve sur le raccord de l'Aquastop et du flexible d'arrivée d'eau.



Attention:

Les réparations ne doivent être effectuées que par un spécialiste. Des réparations inexpertes s'assortissent d'un risque de dégâts considérables et peuvent mettre en danger la vie de l'utilisateur.

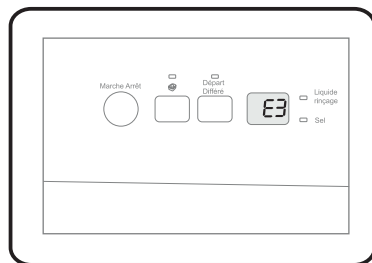
... sur l'appareil

Affichage d'erreur sur l'indicateur du temps restant

Un signal sonore retentit 10 fois toutes les 30 secondes; l'indicateur du temps restant change sur l'affichage "E3" et l'indicateur des programmes est allumé.

Vérifier si:

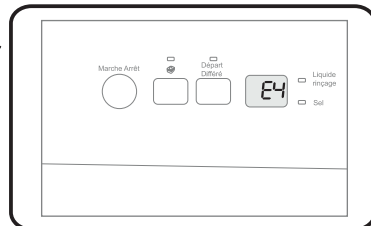
- le tuyau de vidange est disponible



Un signal sonore retentit 10 fois toutes les 30 secondes; l'indicateur du temps restant change sur l'affichage "E4" et l'indicateur des programmes est allumé.

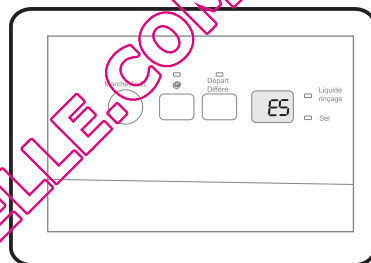
Vérifier si:

- le tuyau de vidange n'est ni écrasé ni plié.
- le tuyau de vidange est disposé trop haut.



Un signal sonore retentit 10 fois toutes les 30 secondes; l'indicateur du temps restant change sur l'affichage "E5" et l'indicateur des programmes est allumé. Vérifier si:

- le robinet d'arrivée d'eau est ouvert et que le tuyau d'alimentation est raccordé correctement
- l'alimentation en eau de votre habitation n'a pas été coupée et que la pression est suffisante ;
- le tuyau d'alimentation n'est ni écrasé ni plié;
- le filtre du tuyau d'alimentation n'est pas obstrué.
- le tuyau de vidange est disposé trop bas.



Un signal sonore retentit 10 fois toutes les 30 secondes; l'indicateur du temps restant change sur l'affichage "E2", "E6", "E7", "E8", "E9", "EA" ou "Eb" et l'indicateur des programmes est allumé, adressez-vous à votre Service Après-vente.

Si tous ces contrôles sont réalisés et que toutefois l'erreur persiste, veuillez mettre hors service le lave-vaisselle. Attendez quelques minutes et remettez-le en service. Si le lave-vaisselle ne fonctionne toujours pas et/ou que le problème persiste, adressez-vous à votre Service Après-vente le plus proche en indiquant

- le type de panne ;
- le type d'appareil et le numéro du modèle (Mod...) ainsi que le numéro de série (S/N...), qui figurent sur la plaque signalétique située sur la paroi intérieure de la porte.

Le bras d'aspersion inférieur tourne difficilement

- Bras bloqué par des couverts ou par des résidus alimentaires.

Le couvercle du compartiment à détergent refuse de se fermer

- Compartiment de dosage excessivement rempli.
- Mécanisme bloqué par des restes de détergent collés

Après le lavage, des restes de détergent collent dans le réservoir de dosage

- Le réservoir de dosage était mouillé au moment où vous l'avez rempli. Ne versez le détergent que dans le réservoir sec.

L'eau ne s'écoule pas à l'égout en fin de programme

- Flexible de vidange bouché ou plié.
- Pompe de vidange bloquée.
- Les filtres sont bouchés.
- Le programme n'est pas encore terminé. Attendez la fin du programme.

... lors du lavage

Production inhabituelle de mousse

- Présence de liquide pour la vaisselle dans le dispositif de dosage du liquide de rinçage.
- Du produit de rinçage répandu peut conduire à une formation excessive de mousse lors du processus de rinçage suivant, c'est pourquoi enlevez le produit de rinçage répandu avec un chiffon.

L'appareil s'arrête pendant le lavage

- Coupure de courant.
- Alimentation en eau coupée.

Bruits de percussion pendant le lavage

- Le bras pivotant d'aspersion percute des pièces de la vaisselle.

Cliquetis pendant le lavage

- La vaisselle n'a pas été placée correctement à l'intérieur de l'appareil

Les vannes de remplissage émettent un bruit de claquement

- Ceci est dû au tracé de la conduite d'eau domestique et n'influe aucunement sur le fonctionnement de la machine. Aucun remède possible.

Avec les plats, couverts..

Des résidus alimentaires adhèrent contre la vaisselle

- Panier excessivement rempli de vaisselle.
- Les pièces de vaisselle se touchent.
- Vous n'avez pas mis assez de détergent.
- Vous avez choisi un programme de lavage pas assez puissant.
- Une pièce de vaisselle a empêché la rotation du bras pivotant d'aspersion.
- Des résidus alimentaires obstruent les buses du bras pivotant d'aspersion.
- Les filtres sont bouchés.
- Filtres incorrectement installés.
- Pompe de vidange bloquée

Les pièces en plastique se décolorent

- Vous n'avez pas versé assez de détergent.
- Le détergent a un effet blanchissant insuffisant. Utilisez un détergent avec agent de blanchiment chloré.

Des taches en partie blanches demeurent sur la vaisselle. Les verres ont un voile laiteux

- Vous n'avez pas versé assez de détergent.
- Quantité de liquide de rinçage réglée trop faible.
- Vous n'avez pas versé de sel spécial dans l'appareil bien que l'eau soit très dure.

L'adoucisseur d'eau est réglé trop bas.

- Vous n'avez pas correctement vissé le couvercle du réservoir de sel.
- Si vous avez utilisé un détergent sans phosphate, essayez-en au phosphate.

La vaisselle ne sèche pas

- Vous avez choisi un programme sans séchage.
- Vous avez réglé le liquide de rinçage sur une trop faible quantité.
- Vous avez sorti la vaisselle trop tôt.

Les verres n'étincellent pas

- Vous avez réglé le liquide de rinçage sur une trop faible quantité.

Des traces de thé ou du rouge à lèvres ne sont pas complètement enlevées

- Le détergent a un effet blanchissant insuffisant.
- Température de lavage réglée trop basse.

Traces de rouille sur les couverts

- Les couverts ne sont pas suffisamment inoxydables.
- Teneur en sel excessive dans l'eau de lavage.
 - Couvercle du réservoir de sel pas vissé à fond.
 - Vous avez répandu trop de sel lors du remplissage de son réservoir.

Les verres prennent un voile opaque et décolorent

- Vous avez versé un détergent inapproprié.
- Ces verres ne sont pas lavables au lave-vaisselle.

Les verres et les couverts présentent des stries; les verres prennent un aspect métallique

- Le dosage du liquide de rinçage est réglé trop élevé.

Largeur	60 cm
Profondeur	60 cm
Hauteur	85 cm
Capacité	12 couverts standard
Pression de l'eau	0.03-1.0MPa
Tension d'alimentation	220-240V~/50Hz
Intensité maximale du courant	13A
Puissance absorbée totale	1900W

QUELLAVEVAISSELLE.COM

Remarque concernant la mise au rebut

Les appareils usagés ne sont pas des déchets dénués de valeur. Une mise au rebut respectueuse de l'environnement permet de récupérer de précieuses matières premières.

Lorsque l'ancien appareil a fini de servir, débranchez sa fiche mâle de la prise de courant, sectionnez son câble d'alimentation puis retirez-le avec la fiche.

Détruisez la serrure de la porte. Vous éviterez ainsi que les enfants ne s'enferment accidentellement à l'intérieur de l'appareil et risquent leur vie.


Pour vous parvenir, cet appareil a été conditionné dans un emballage destiné à le protéger. Tous les matériaux constitutifs de l'emballage sont compatibles avec l'environnement et recyclables. Aidez-nous à éliminer l'emballage dans le respect de l'environnement.

Ne laissez pas les enfants jouer avec l'emballage et les pièces qui le constituent. Ils risquent de s'étouffer dans les cartons pliants et les feuilles plastiques.

Pour obtenir les coordonnées du centre de recyclage ou rapporter l'ancien appareil et l'emballage, veuillez consulter votre revendeur ou l'administration de votre municipalité.

Mise au rebut



Le symbole  sur le produit ou son emballage indique que ce produit ne doit pas être traité en tant que déchet ménager. Ce produit devra être remis à un point de recyclage de déchets électriques. En vous débarrassant de ce produit de manière appropriée vous aiderez à prévenir de potentielles conséquences pour l'environnement ainsi que pour la santé humaine, qui pourraient être causées par une élimination non correcte de cet appareil.

Pour une information plus détaillée sur l'élimination de ce produit, contactez votre mairie, le service déchets municipal ou encore le magasin dans lequel vous avez acheté votre produit.

Généralités

Les appareils intégrés installés sous un plan de travail doivent être protégés du renversement, par exemple en les vissant au mur ou en les installant sous un plan de travail continu vissé aux meubles voisins.

Remarques concernant les essais comparatifs selon EN 50242

Rangement de la vaisselle selon cette norme.

Exemple de rangement: fig. 1,2 et 3.

Capacité: 12 couverts standard

Programme utilisé pour la comparaison: ECO

Réglage du liquide de rinçage: 5

Détergent:: Prélavage - 5g

Lavage prolongé -25g

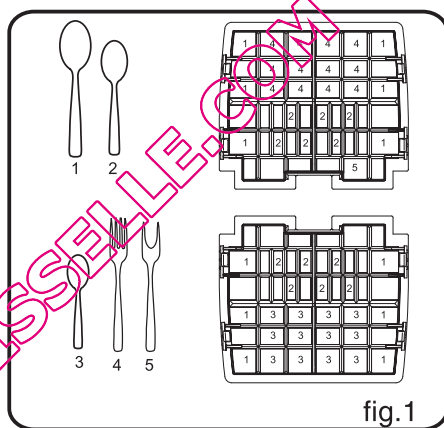


fig.1

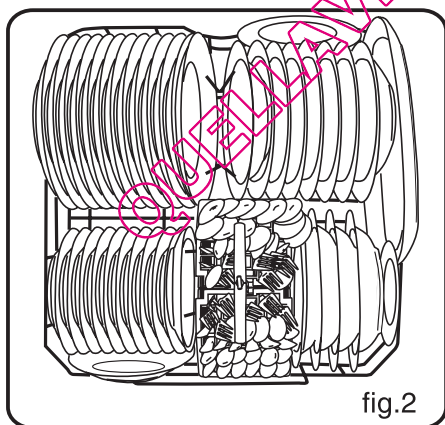


fig.2

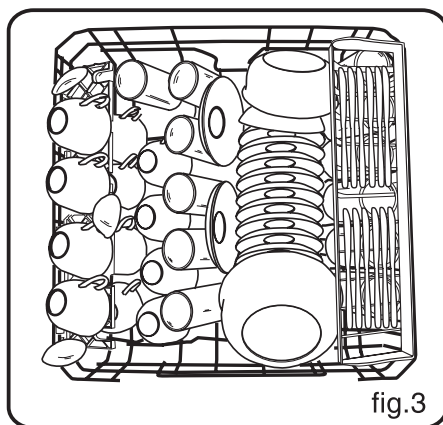


fig.3

Lorsque vous testez les performances de lavage, la roue qui se trouve en haut du panier supérieur doit tourner dans le sens du roulement.

S'il existe des déviations par rapport aux essais comparatifs selon EN 50242 portant sur, par ex., le degré de salissure, le type de vaisselle et de couvert, contactez le fabricant de l'appareil avant le commencement des tests.

QUELLAVEVAISSELLE.COM

QUELLAVEVAISSELLE.COM