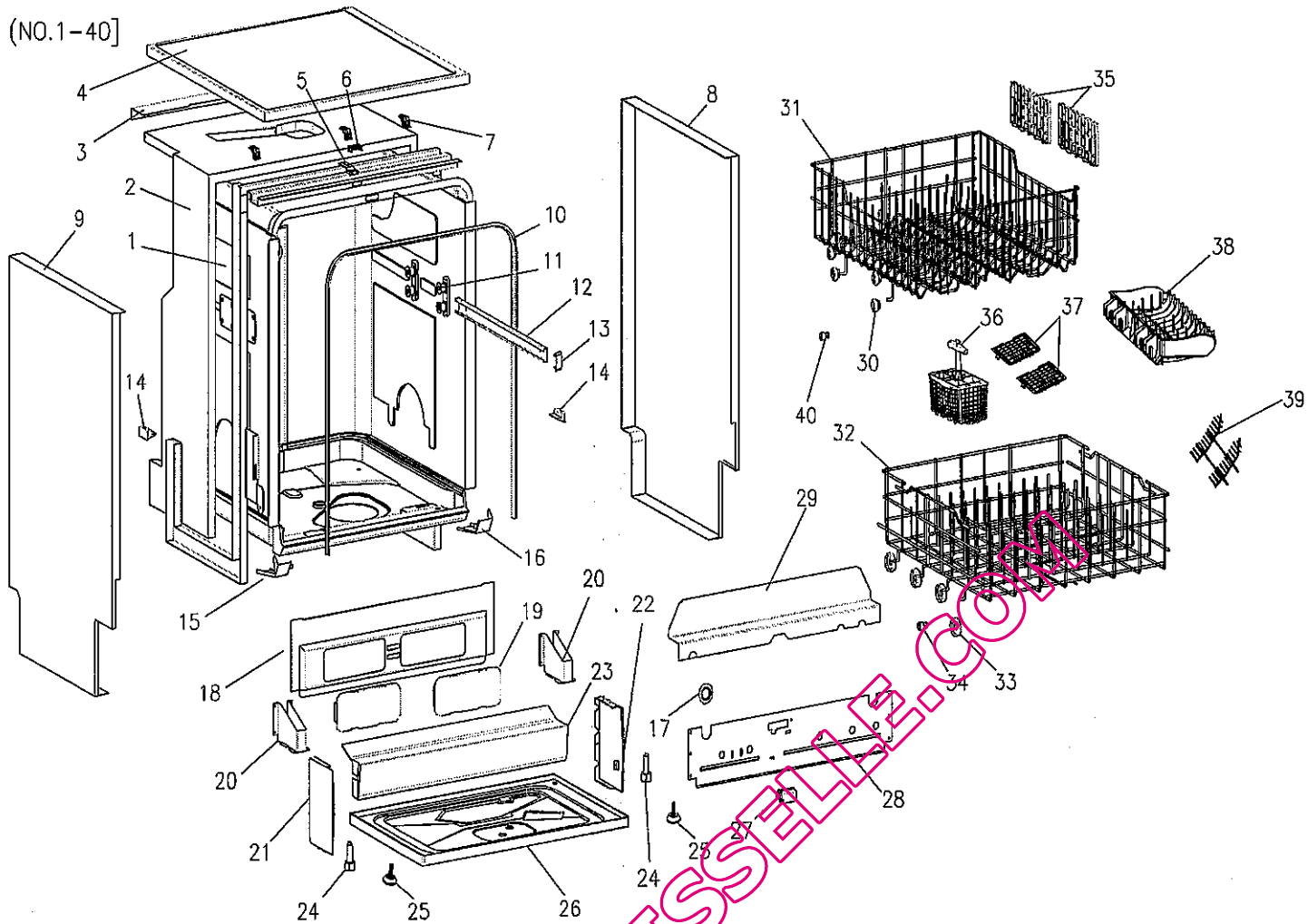
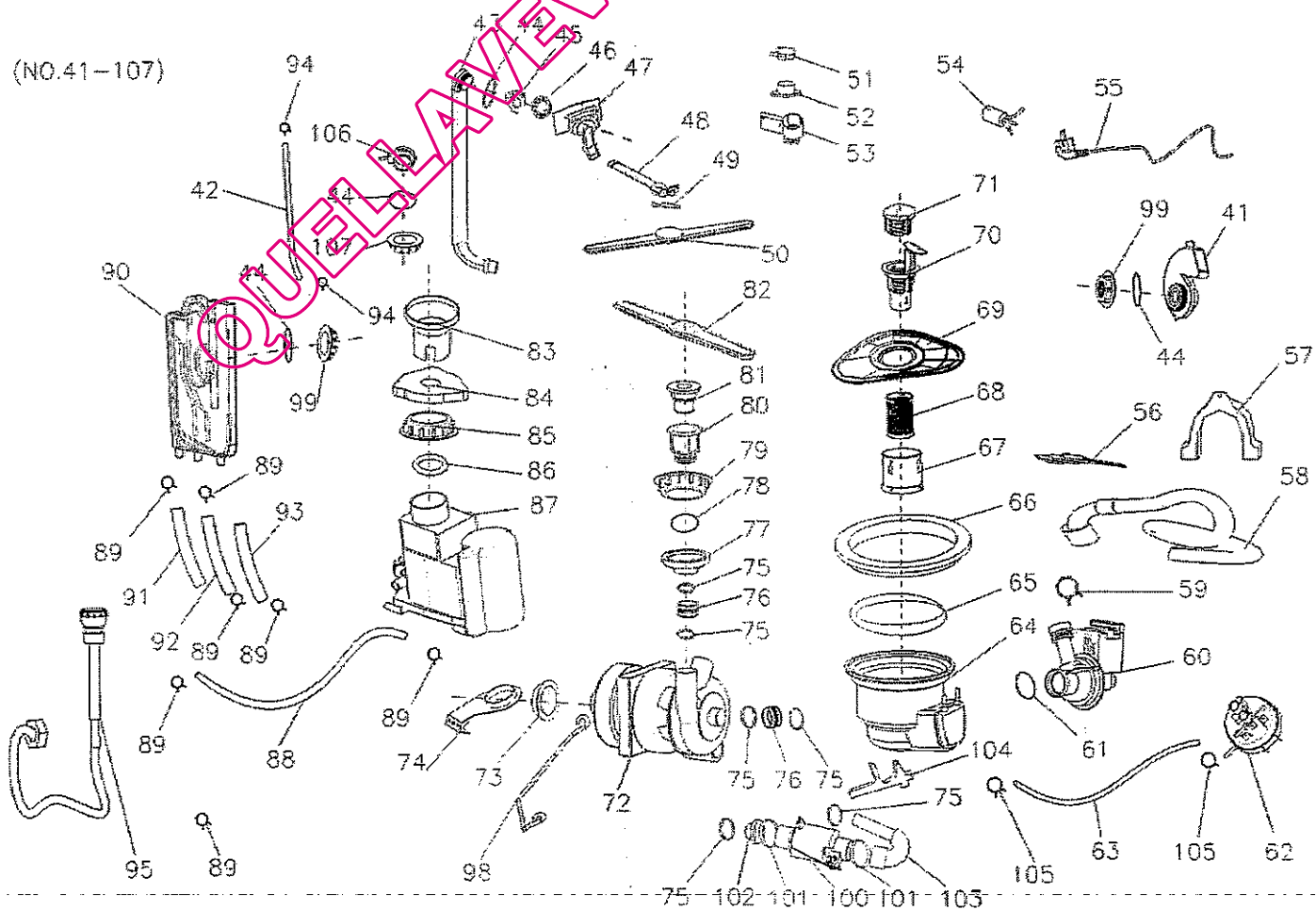


(NO.1-40)



(NO.41-107)



(NO.108-135)

